



Air release valve Mod. VENTOLO

The CSA air release valve Ventolo will ensure the proper operation of the system allowing the release of air pockets accumulating during working conditions.



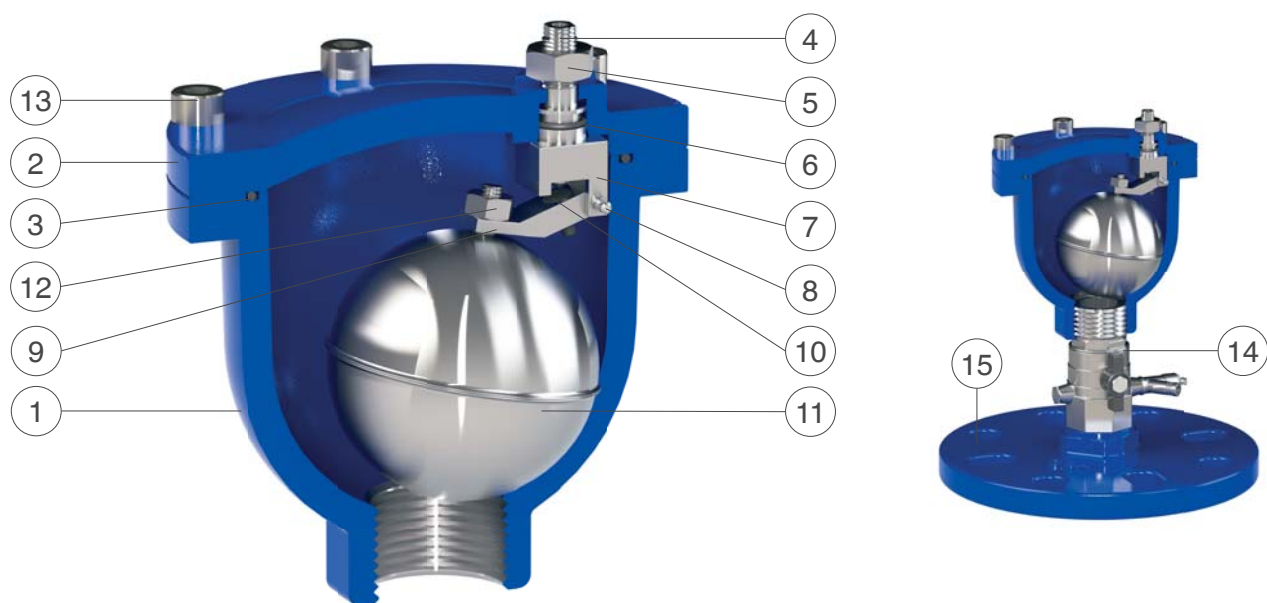
Technical features and benefits

- Body and cover in ductile cast iron, PN 40 bar rated.
- Float in stainless steel AISI 304.
- Lever and pivots in AISI 303/316.
- Nozzle in stainless steel AISI 303/316.
- Compass lever technology to allow large air release capacity through the nozzle.
- Double O-ring to guarantee the perfect water tightness during working conditions.
- Gasket compression control thanks to the adjustable nozzle.
- Nuts and bolts in stainless steel AISI 304/316.
- Minimum working pressure 0,1 bar.

Applications

- Water distribution systems, irrigation, buildings.
- Pumps case.
- Control valves and modulating devices.
- In general only when the air release function is required, it can be combined with CSA air valves FOX series for the kinetic functions of air outflow and inflow.

Technical details



N.	Component	Standard material	Optional
1	Body	ductile cast iron GJS 500-7	
2	Cap	ductile cast iron GJS 500-7	
3	O-ring	NBR	EPDM/Viton/silicone
4	Nozzle	stainless steel AISI 303	stainless steel AISI 316
5	Nut	stainless steel AISI 304	stainless steel AISI 316
6	O-ring	NBR	EPDM/Viton/silicone
7	Upper lever	stainless steel AISI 303	stainless steel AISI 316
8	Pivot	stainless steel AISI 303	stainless steel AISI 316
9	Lower lever	stainless steel AISI 303	stainless steel AISI 316
10	Nozzle gasket	silicone	
11	Float	stainless steel AISI 304	
12	Nut	stainless steel AISI 304	stainless steel AISI 316
13	Screw	stainless steel AISI 304	stainless steel AISI 316
14	Ball valve	nickel-plated brass OT58	stainless steel AISI 316
15	Flange	ductile cast iron GJS 500-7	painted Fe 37/AISI304/316

The list of materials and components is subject to changes without notice.

Working conditions

Treated water max. 60°C.
Higher temperature on request.
Max. pressure 40 bar;
Min. pressure 0,1 bar.

Standard

Designed in compliance with EN-1074/4.
Standard connection 1", flanged on request. Flanges according to EN 1092/2.
Epoxy painting applies through fluidized bed technology blue RAL 5005.
Changes and variations on the flanges and painting details available on request.

Air flow performance charts

