

XL3 channel penstock

Nominal size 200 × 200 to 3000 × 3000 mm.
For rectangular openings in channels, for dowelling or embedding in concrete

The high stability and reliability of the XL3 ensure the durable and safe operation of the plant. The combination of a lightweight but torsionally stiff sliding plate with the stainless steel frame functioning as a sealing surface guarantee excellent sealing performance.

The XL3 is available in all rectangular intermediate sizes up to 3000 × 3000 mm. The XL3 is also available as lowering type penstock.



Sealing performance

- Better than DIN 19567-4 class 5
- Steady sealing performance irrespective of water level
- Sealing anytime changeable
- Waste water resistant sealing material

Installation advantages

- Sealing is already installed
- Quick and easy installation with few fixing brackets
- No additional adjustments necessary on the penstock

Operation advantages

- Maintenance free
- Self-cleaning stem nut
- Durable operating reliability
- High process safety due to outstanding sealing performance

Corrosion resistance

- Maximum corrosion resistance due to stainless steel material, all acid cleaned and passivated in BÜSCH pickling plant

Operation

- Operating key, hand wheel, electric or pneumatic actuator, gears and a wide range of extensions: see BÜSCH MAS programme

Accessories

- MAS Modular Actuating System packages: see BÜSCH MAS programme
- MOBITORQ® Mobile Actuator: see brochure
- BEA® BÜSCH Electric Actuator: see brochure
- Operating key: e.g. All-in-One operating key

Areas of application

- Municipal and industrial wastewater treatment plants
- Chemical industry
- Rain reservoirs
- Flood protection
- Power plants



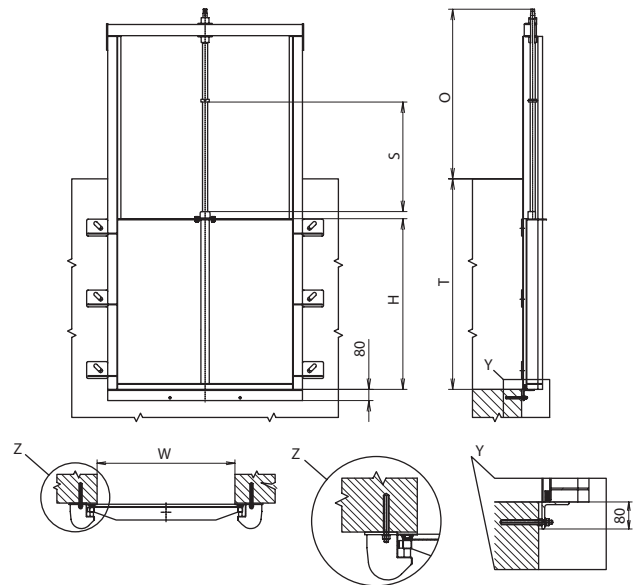
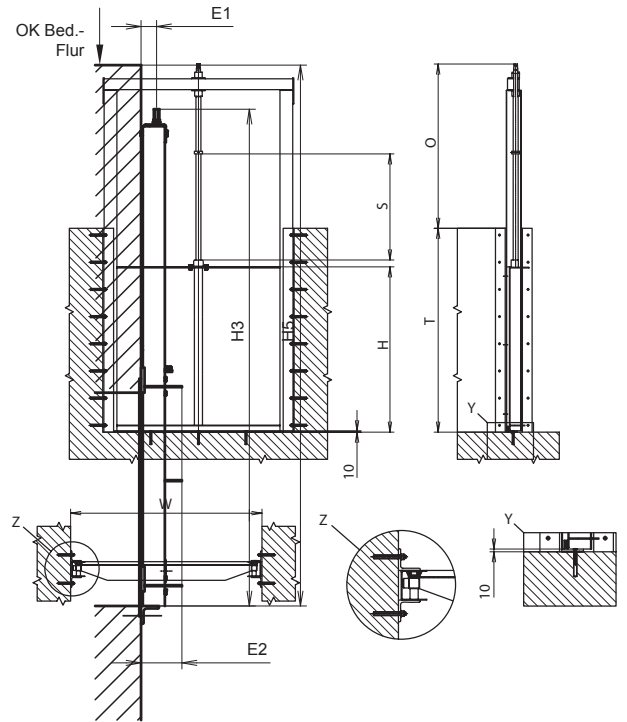
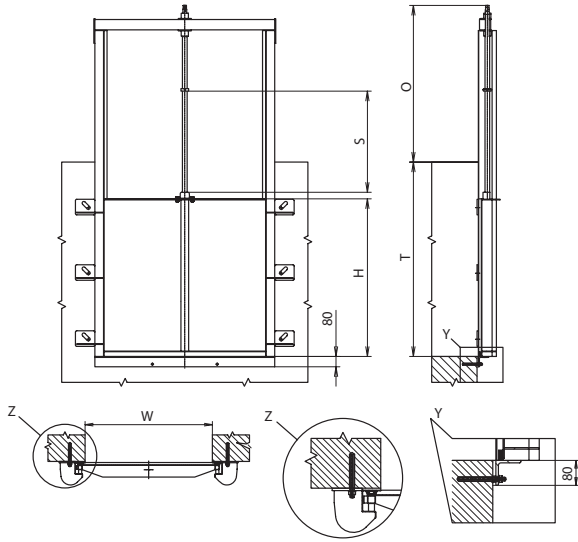
Materials

Frame:	Stainless steel SS304 or SS316Ti
Sliding plate:	Stainless steel SS304 or SS316Ti
Sealing:	EPDM, waste water resistant or NBR
Stem:	Stainless steel SS304 or SS316Ti
Stem nut:	GC-CuSn 12, seawater resistant bronze
Chem. anchor bolts:	Stainless steel S32304

Other materials available on request.

XL3 penstock

Nominal size 200 x 200 to 3000 x 3000 mm, for round or rectangular openings, for dowelling or embedding



Zastawka kanałowa XL3

W	Advise when ordering
H	Advise when ordering
S	Advise when ordering
T	Advise when ordering
O	900 mm or customer specification
Turns/Stroke	Depending on size
Weight/kg	Depending on size
Reqd. space m³	Depending on size



BÜSCH Technology GmbH

Neuburger Straße 26
 90451 Nürnberg, Germany
 E-Mail info@buesch.com
 Tel. +49 (911) 46 254-0
 Fax +49 (911) 46 254-70