

s.123

1/4"-4" heavy pattern brass check valves



Quality:

- Suitable for domestic, industrial, pneumatic and hydraulic installations
- Performs well in any orientation
- Strong configuration suitable to most difficult applications
- Low noise
- Low water hammer
- Lowest pressure drop

Body:

- Hot forged CW617N brass body
- Perfect seal at low and high pressure, within a wide temperature range

Seals:

- NBR seal

PED Directives:

- The product described in this document meets the requirements of PED Directive 97/23 and according to art.3 par.3, it does not require CE marking; it cannot be used with dangerous gases in sizes larger than 25mm

Threads:

- ISO 228 parallel female by female threads

Working Pressure:

- See non-shock cold working pressure on chart
- Cracking pressure: min 0.025 bar
- Sealing pressure: min 0.05 bar

Working Temperature:

- -20°C (-4°F) / +100°C (+210°F)
- Warning: freezing of the fluid in the installation may severely damage the valve

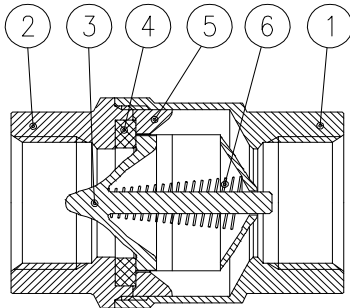
Options:

- Stainless steel filter

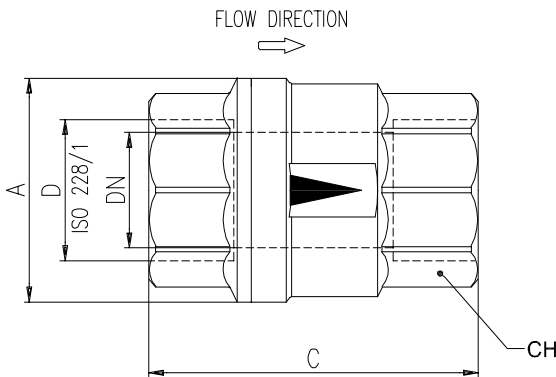
Approved by or in compliance with:

- GOST-R (Russia)
- Hygiene and epidemic center in Moscow city (Russia)
- EAC - Declaration of conformity (Russia-Kazakhstan-Belarus)

NOTE: Approvals apply to specific configurations/sizes only.



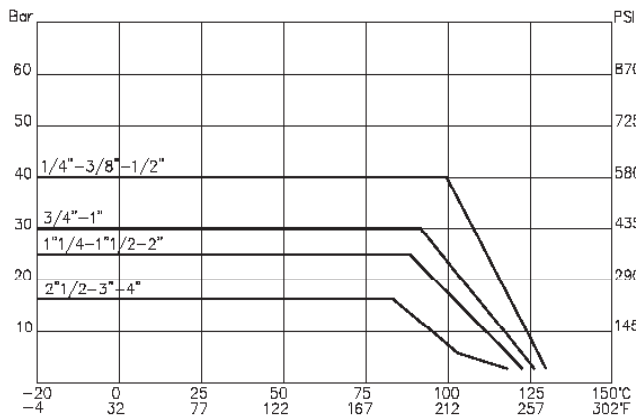
Part Description	Q.ty	Material
1	1	CW617N
2	1	CW617N
3	1	Hostaform
4	1	NBR
5	1	Hostaform
6	1	AISI302



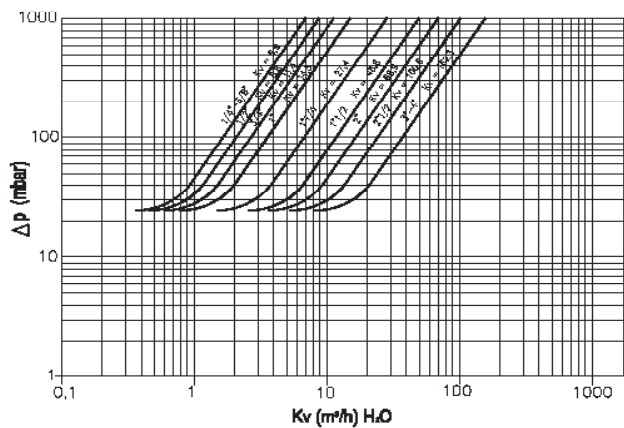
Code	123B00	123C00	123D00	123E00	123F00	123G00	123H00	123I00	123L00	123M00	123N00
D (inch)	1/4	3/8	1/2	3/4	1	1.1/4	1.1/2	2	2.1/2	3	4
DN (mm)	10	10	15	20	25	32	40	50	65	80	80
A (mm)	28	28	34	41.5	50	60.5	73.5	89	114	137	142
C (mm)	46.5	46.5	50	59	67	76	90	101	127	150	133.5
CH (mm)	21	21	26	32	39	49	56	69	86	100	124
PN (bar)	40	40	40	30	30	25	25	25	16	16	16

Ask for additional information on the whole range of **RuB** valves and consult with your supplier for special applications.

Pressure-Temperature Chart



Pressure Drop Chart



The company reserves all rights for the information contained herein. Products may be changed at any time without notice. Any undated reference to a code or standard shall be interpreted as referring to the latest edition. **RuB** and logo are registered trademarks of **RuB**-Rubinetteria utensilerie Bonomi. Other logos and registered trademarks are property of respective owners.

XCE123 - Rev: 3486