



Solenoid valve 5/2 way Servocontrolled

512946W0B12-A

PRESENTATION:

S.V. with pilot control for interception of fluids compatible with the construction materials.

A minimum operational pressure of 1,3 bar is required.

The materials used and the tests undertaken ensure maximum reliability and duration.

USE: Automation

PIPES: axial namur interface
pressure exhaust G 1/4

COILS: 5W - Ø 10
LBA 155°C (class F)
LBF - LBV 180°C (class H)

COIL HOUSING AND COIL FORMER MATERIAL ARE MADE BY 100% VIRGIN MATERIAL.

Max. allowable pressure (PS) 10 bar

Ambient temperature:

See coils catalogue page for its compatibility.

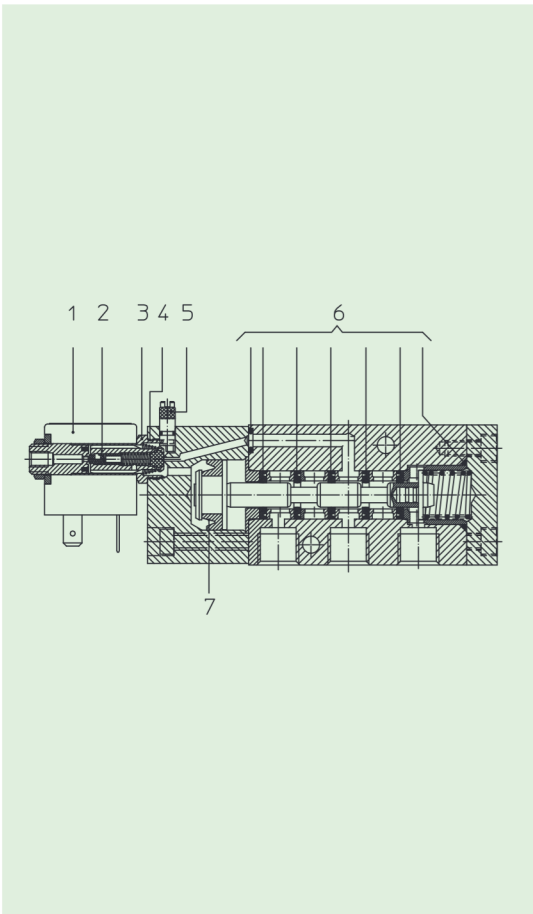


Gaskets	Temperature		Medium
B=NBR (nitrile rubber)	- 10°C	+ 90°C	Lubricated air



Pipe ISO 228/1	Code	Max viscosity		Ø mm	Kv l/mn	Power watt	Pressure		
		cSt	°E				min bar	M.O.P.D. AC bar DC bar	
G 1/4	512946W0B12-A	-	-	6	6,5	5	1,3	10	10

The "ODE" reserves the right to carry out technical and aesthetic modifications without prior notice.



MATERIALS:

- Body** Anodized aluminium
- Armature tube** Stainless steel AISI series 300
- Fixed core** Stainless steel AISI series 400
- Plunger** Stainless steel AISI series 400
- Phase displacement ring** Copper - Cu 99,9%
- Spring** Stainless steel AISI series 300
- Seal** B=NBR
- Orifice** Aluminium

On request:

- Connector** Pg 9 or Pg 11
- Connector conformity** ISO 4400

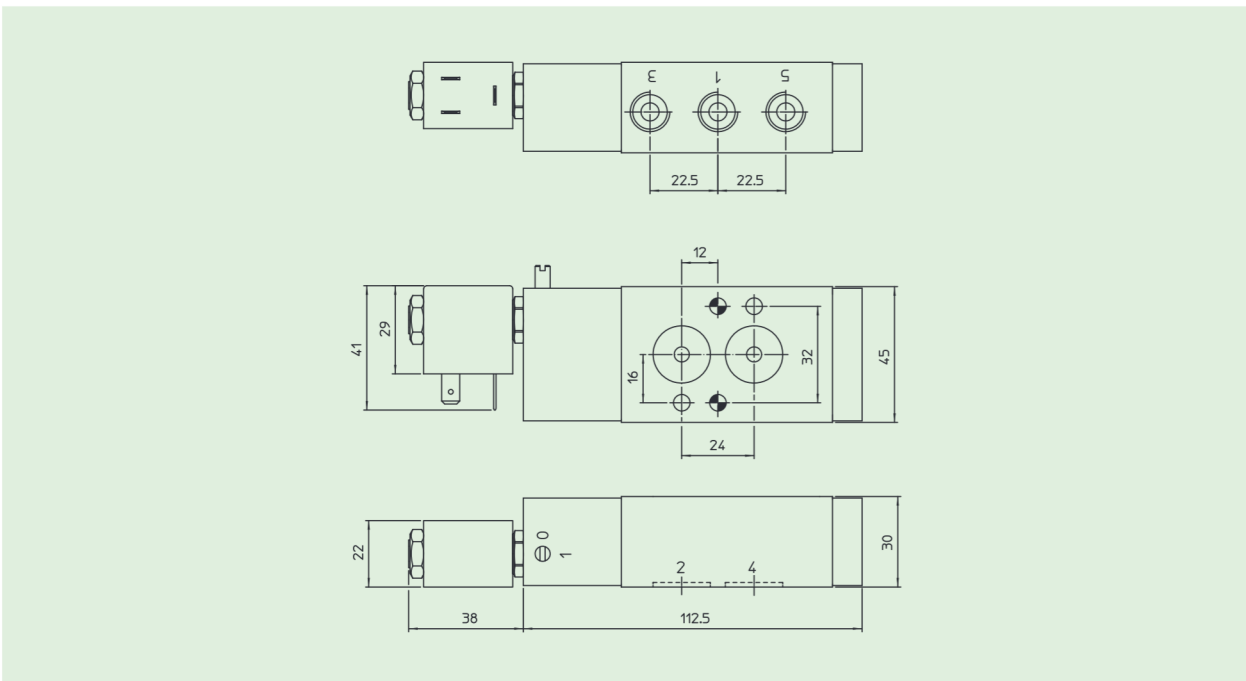
FEATURES:

- Electrical conformity** IEC 335
- Protection degree** IP 65 EN 60529 (DIN 40050) with coil fitted by connector.

SPARE PARTS:

- 1. Coil:** See coils list
- 2. Complete plunger:** Code . R452061/B
- 3. Complete armature tube:** Code R453230
- 4. Gasket O-Ring:** Code R990597/G
- 5. Manual operation:** Code R453222
- 6. Gasket kit:** Code R451906/B
- 7. Lip seal:** Code R990473/B

DIMENSIONS:



COIL TYPE	POWER ABSORPTION		
	W =	Hold VA ~	Inrush VA ~
L	5	10	15