

# 51 SERIES B-BLUE

## Single Stack Housing for B-Blue Cartridges

The **51 Series** single cartridge housing range is renowned for its high quality design and manufacture. These housings are designed to accept large diameter pleated and depth media **B-Blue** cartridges. They are fitted with a Vee clamp closure and are suitable for a wide variety of liquid and gas filtration applications.





The **51 Series** housing will accept the full range of Amazon **B-Blue** cartridges with removal ratings ranging from 0.5 to 150µm and with nominal lengths of 10" and 20".



### Product Features

- Quick release Vee Clamp Closure for easy opening
- Lightweight, high specification design
- Dual purpose head accepts SOE code 3 and DOE cartridges
- Suitable for either 10" or 20" cartridges
- Available in 316L stainless steel
- Wide range of inlet/outlet connection size and types available
- PED Compliant
- Full traceability on all parts, material certification packs available
- Rated at FV/10 bar liquid, FV/10 bar gas
- Double vents in head



Accessories	Part Number
Pressure Gauge and Vent Valve Kit 	60S000016
Ball Valve and Nipple 	60S000010
Stand 	50S010012
Mounting Bracket 	56S000001

## Features and Benefits

- Investment Cast head (avoids the porosity & inclusion problems associated with lower quality sand castings)
- Integral vents and drain sockets to aid efficient filter change-out complete with PTFE washer
- Unique configuration enables choice of SOE or DOE cartridge styles in the same housing
- Every 316L stainless steel constructed housing is etched with a serial number for full traceability
- Full housing customisation service available
- High specification bead blast finish
- WRAS approved product

## Product Range

Amazon Filters design and manufacture an extensive range of liquid filtration systems, providing one of the widest selections of filtration vessels, depth filters and pleated cartridges available today, ensuring excellent process and filter compatibility. As one of Europe's leading manufacturers of filtration systems, Amazon Filters is able to offer a solution to meet all filtration requirements. Amazon's filters are manufactured in clean room conditions and all products come with detailed Product Validation Guides and Technical Support documentation.



**AMAZON**

# 51 Series B-Blue Technical Data

## Maximum Operating Conditions

Pressure Range: Liquid: FV / 10 bar g  
 Gas Group 2: FV / 10 bar g  
 Temperature Range: -10°C / 150°C

## Materials of Construction

Body and Closure: 316L St.Steel  
 Clamp: 304 St.Steel  
 Finish: Bead blast head and bowl

## Connections

Inlet/Outlet: ½" BSPF  
 Vents: ¼" BSPF with Plug  
 Drain: ¼" BSPF with Plug

Model	Dimensions					Volume (Litres)	Dry Weight
	A	B	C	D	E		
510110VK15B1BEBB	381	-	-	120	320	4.2	4.4 kgs
510120VK15B1BEBB	635	-	-	120	574	7.3	6.2 kgs

## PED Status:

Compliant with 2014/68/EU

## Fluid Groups:

Gas Group 2  
 Liquids Group 1 + 2

## Marking:

10": - SEP  
 20": - CE Marked

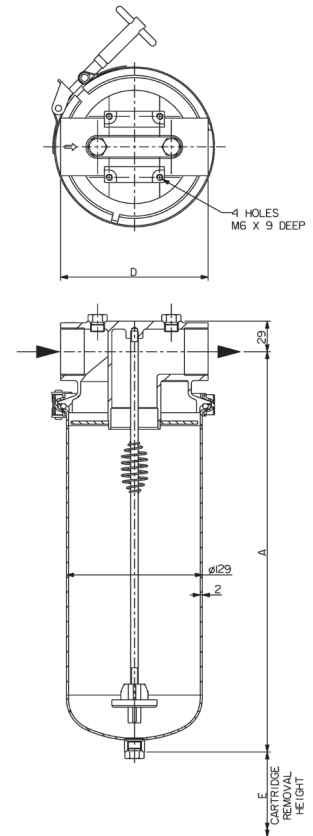
## Exceptions:

Group 1 liquids - Explosive

## ATEX:

Compliant with 2014/34/EU, level CE Ex II 2 GD c X

Technical drawings for each individual housing showing dimensions, volume, weights, maximum temperatures and design pressures available on request.



# AMAZON FILTERS LTD.

Albany Estate, Camberley, Surrey, GU16 7PG, ENGLAND

Tel: +44 (0) 1276 670 600 Email: sales@amazonfilters.co.uk Web: www.amazonfilters.com