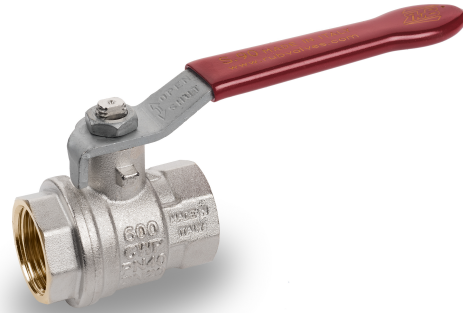




s.90

full port 1/4" - 4"
hot forged brass ball valve



Quality

- 24h 100% seal test guaranteed
- Dual sealing system allows valve to be operated in either direction making installation easier
- No metal-to-metal moving parts
- No maintenance ever required
- Handle clearly shows ball position
- Silicone-free lubricant on all seals
- Chrome plated brass ball for longer life
- Handle stops on body to avoid stress at stem

Body

- Hot forged sand blasted, external nickel plated brass body and cap sealed with Loctite® or equivalent thread sealant
- Finest brass according to EN 12165 and EN 12164 (formerly DIN 17660 and UNI 5705-65) specifications

Stem

- Blowout-proof nickel plated brass stem
- Maintenance-free, double FPM O-rings at the stem for maximum safety

Sealing

- Pure PTFE self-lubricating seats with flexible-lip design

Threads

- ISO 228 parallel female by female threads



Flow

- Full port to DIN 3357 for maximum flow

Handle

- Geomet® carbon steel handle with thick PVC dip coating. Handle coating offers both thermal and electrical protection
- Handle removable with valve in service

Working pressure & temperature

- 40 Bar (600 PSI) up to 2", 30 Bar (450 PSI) over 2" non-shock cold working pressure
- -40°C (-40°F)/ +170°C (+350°F)
- **WARNING:** freezing of the fluid in the installation may severely damage the valve

Options

- Stem extension
- T-handle
- AISI 430 stainless steel handle
- Patented locking device
- Dezincification resistant brass body and components
- Oval lockable handle up to 2", round over 2"
- Male by female threads. Male thread available also with flat face for flat sealings usage.
- Male by male threads. Male thread available also with flat face for flat sealings usage.
- Stubby handle up to 2"
- **RUB** memory stop is designed to be installed with our stubby handle

Upon request

- AISI 316 stainless steel ball
- Glass filled PTFE seals
- Custom design

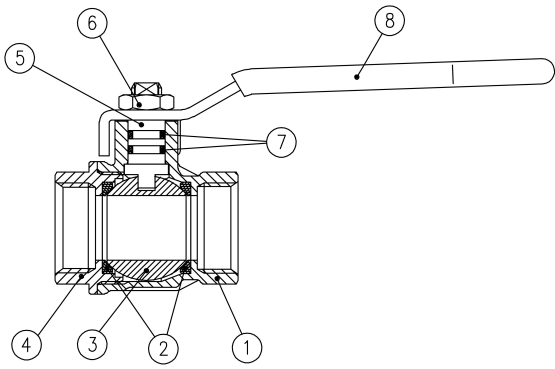
PED directive

- According to 2014/68/UE module A: it cannot be used with dangerous gases in sizes larger than 25mm

Approved by or in compliance with

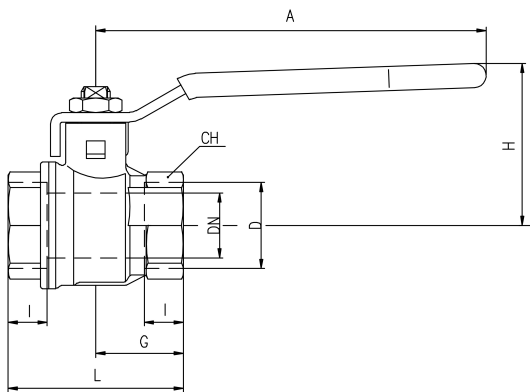
- Water Regulations Advisory Scheme (United Kingdom)
- GOST-R (Russia)
- EAC - Declaration of conformity (Russia-Kazakhstan-Belarus)
- RoHS Compliant (EU)

NOTE: approvals apply to specific configurations/sizes only.



	PART DESCRIPTION	Q.TY	MATERIAL
1	Nickel plated body (external nickel plated, unplated inside up to 2")	1	CW617N
2	Seat	2	PTFE
3	Chrome plated ball	1	CW617N
4	Nickel plated end-cap (external nickel plated, unplated inside up to 2")	1	CW617N
5	Nickel plated stem O-ring design	1	CW617N
6	Geomet® nut	1	CB4FF
7	O-Ring	2	FPM
8	Red PVC coated Geomet® steel handle	1	DD11

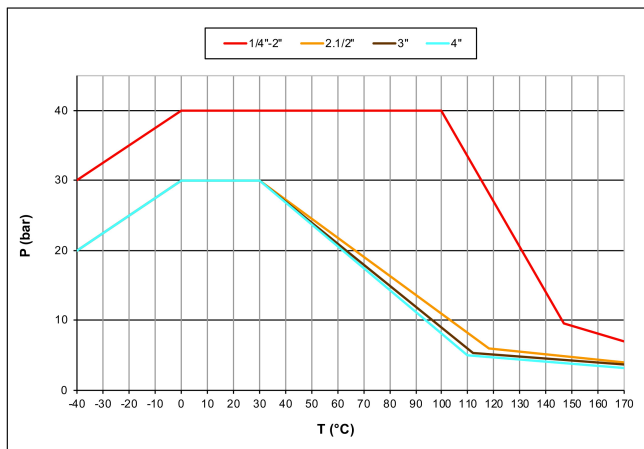
1.1/4"-2" hollow ball



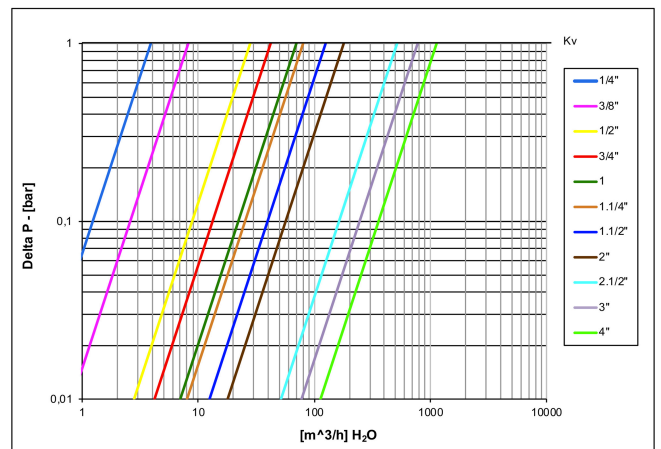
Code	S90B00	S90C00	S90D00	S90E00	S90F00	S90G00	S90H00	S90I00	S90L00	S90M00	S90N00
D (inch)	1/4	3/8	1/2	3/4	1	1 1/4	1 1/2	2	2 1/2	3	4
DN (mm)	8	10	15	20	25	32	40	50	65	80	100
I (mm)	9	9	11	12	14	15	17	19	22	25	29
L (mm)	39	39	50	54	67	77	90	106	136	157	191
G (mm)	19.5	19.5	25	27	33.5	38.5	45	53	68	78.5	95.5
A (mm)	82	82	100	120	120	158	158	158	255	255	255
H (mm)	38	38	43	50	54	73	79	86	132	140	154
CH (mm)	20	20	25	31	38	48	54	66	85	99	125
Kv(m³/h)	3.9	8.2	28	42	70	80	125	179	516	776	1130

DN shows the nominal flow diameter. Actual flow diameter complies with full port DIN 3357 part 4. Stem configuration of valves over 2" is slightly different. Ball valves are marked CE on handle from 1.1/4" to 2", on body over 2" as follow: CE XXCODEXX Cat I-A

Pressure-temperature chart



Pressure drop chart



Ask for additional information on the whole range of **RUB** products and consult with your supplier for special applications. For complete disclaimer: www.rubvalves.com/disclaimer