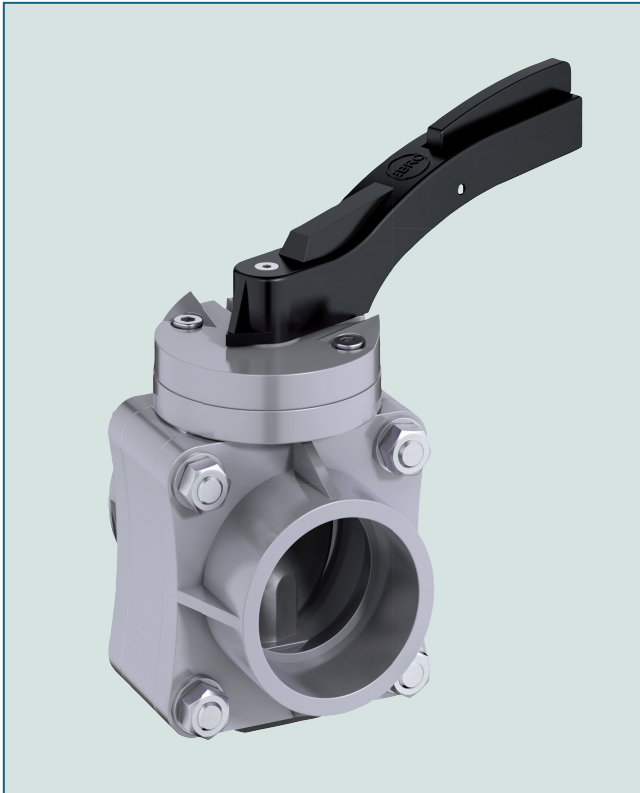


PLASTIC BUTTERFLY K 016



Plastic butterfly valve type K 016 with OPEN/CLOSE lever.

TECHNICAL DATA

Nominal diameter:	DN 32 - DN 100 with notch lever DN 32 - DN 50 with OPEN/CLOSE lever
Face-to-face:	EBRO works standard
Tightness check:	EN 12266 (Leakage rate A) ISO 5208, Category 3
Temperature range:	-10°C to +60°C (depending on pressure and medium)
Operating pressure:	max. 6 bar
Body:	Hard-PVC
Disc:	Aluminium alloy G-AISI10Mg (3.2381), EPDM-rubberized Other coatings on request.
Shafts:	Stainless Steel (A2/A4)

FEATURES

- Shut-off valve with adhesive sockets for mounting in PVC pipe systems
- The center part can be removed during maintenance work
- Can be installed in any desired position
- Can be disassembled, material-specific recycling possible

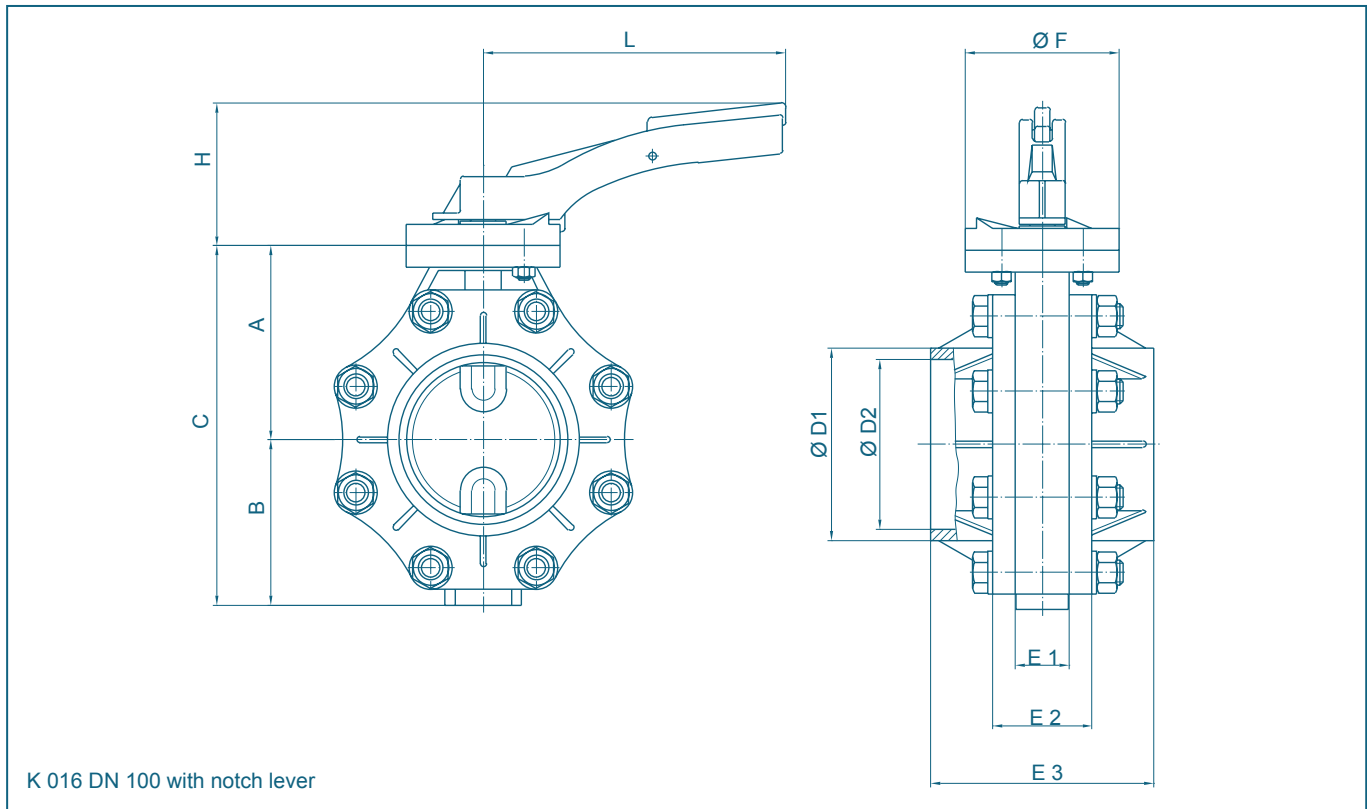
GENERAL APPLICATIONS

- Swimming pool technology
- PVC piping



Plastic butterfly valve type K 016 DN 100 with notch lever.

PLASTIC BUTTERFLY VALVE K 016



DN [mm]	Size [in]	Dimensions [mm]										Weight [kg]	
		A	B	C	D1	D2	E1	E2	E3	F	L		H
32	1¼	65	49	114	54	40	30	60	140	100	195	95	1,0
40	1½	65	49	114	64	50	30	60	140	100	195	95	1,0
50	2	65	49	114	77	63	30	60	140	100	195	95	1,0
65	2½	77,5	61,5	139	90	75	35	65	145	100	195	95	1,9
80	3	77,5	61,5	139	105	90	35	65	145	100	195	95	1,9
100	4	126	97	233	125	110	35	65	145	100	195	95	3,7

Subject to change without notice