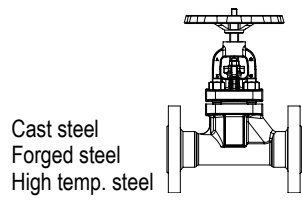


Stop valve with gland seal - metallic sealing
 DN 10 - 100

ARI-STOBU® -
Straight through with flanges

- Rising handwheel
- TRB 801 Annex II No. 45



Cast steel
 Forged steel
 High temp. steel

Fig. 006 Page 2

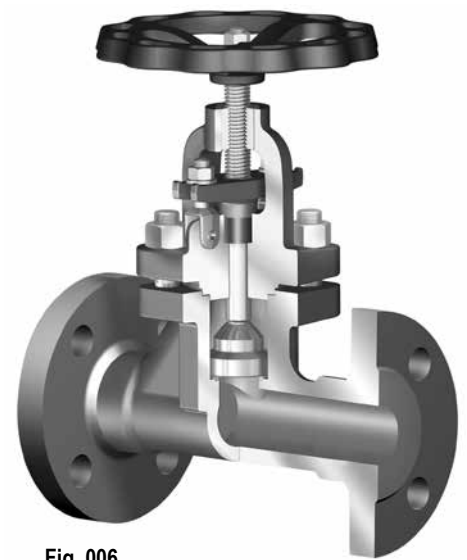
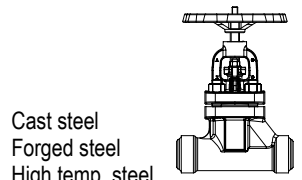


Fig. 006

ARI-STOBU® -
Straight through with butt weld ends

- Rising handwheel
- TRB 801 Annex II No. 45

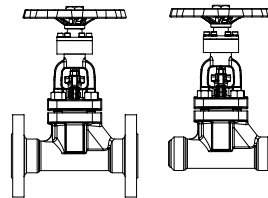


Cast steel
 Forged steel
 High temp. steel

Fig. 005 Page 4

ARI-STOBU® -

- Option: non-rising handwheel



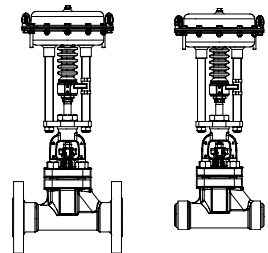
Page 6



Fig. 005

ARI-STOBU® -
Pneumatic actuator
ARI-DP 32-34

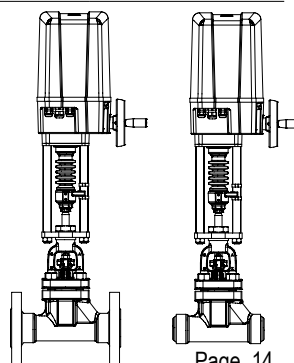
- Reversible pneumatic actuator
- Actuator with rolling diaphragm
- Air supply pressure max. 6 bar
- Stem protection by bellow
- Maintenance-free O-ring sealing



Page 10

ARI-STOBU® -
Electric actuator
ARI-PREMIO 5-15 kN
ARI-PREMIO-Plus 2G 5-15kN

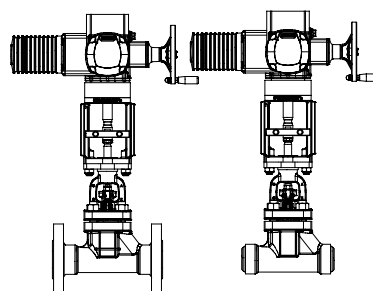
- Enclosure IP 65
- 2 torque switches
- Handwheel
- Additional devices available, e.g. potentiometer



Page 14

ARI-STOBU® -
Electric actuator
AUMA SA 07.6-10.2

- Electric multiturn actuator, capable of high closing pressures
- Enclosure IP 67
- 2 torque switches
- 2 travel switches
- Handwheel
- Overheating protection for motor as standard
- Additional devices available, e.g. potentiometer



Page 16

Features:

- Proven technology
- Plug hardened/stellited
- Seat stellitert
- Stem with roll hardened thread
- Burnished stem
- High-tensile gland packing
- Bonnet top with threaded bushing
- Pivot mounted bolts
- DN 10-50: Back seat (for DN65-100 optional)
- Bonnet sealing inside and outside chambered

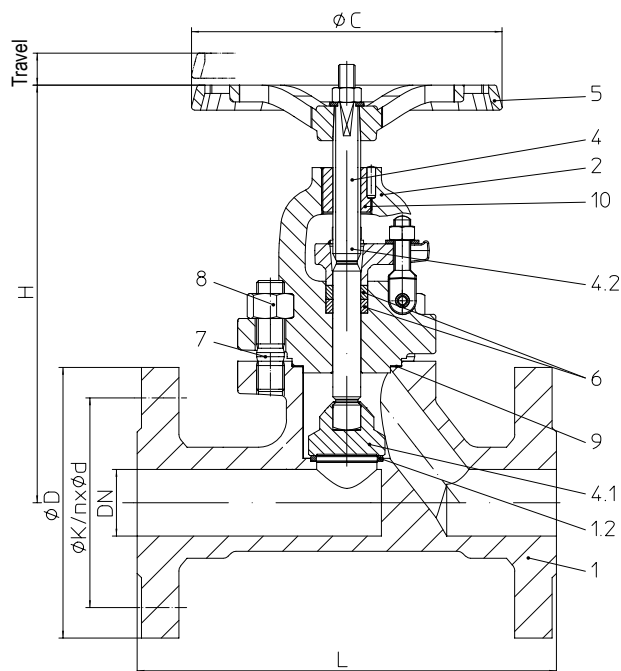
Stop valve - straight through with flanges and gland seal (Forged steel, High temperature steel)


Figure	Nominal pressure	Material	Nominal diameter
48.006...40	PN63-160	1.0460	DN10-40
46.006...40	PN63	1.0460	DN50
48.006...40	PN100-160	1.0460	DN50
88.006...81	PN63-160	1.7335	DN10-40
86.006...81	PN63	1.7335	DN50
88.006...81	PN100-160	1.7335	DN50

Larger nominal diameters refer to page 3.

Options: non-rising handwheel (refer to page 6)

Parts				
Pos.	Sp.p.	Description	Fig. 46./48.006...40	Fig. 86./88.006...81
1		Body	P250 GH, 1.0460	13CrMo4-5, 1.7335
1.2		Seat	Stellit 21	
2		Bonnet	P250 GH, 1.0460	13CrMo4-5, 1.7335
4	x (unit)	Spindle unit		
4.1		Plug	X20Cr13+QT, 1.4021+QT (hardened)	13CrMo4-5, 1.7335 / Stellit 6
4.2		Stem	X20Cr13+QT, 1.4021+QT (burnished)	X39CrMo17-1+QT, 1.4122+QT (burnished)
5		Handwheel	EN-GJS-400-15, EN-JS1030 (FE 13 epoxy-coating)	
6	x	Packing ring	Pure graphite	
7		Stud	21CrMoV 5-7, 1.7709	
8		Hexagon nut	21CrMoV 5-7, 1.7709	
9	x	Gasket	Pure graphite (CrNi laminated with graphite)	
10		Insert nuts	11SMn30+C, 1.0715+C (nitrated)	
L Spare parts				

DN	10	15	20	25	32	40	50
----	----	----	----	----	----	----	----

Face-to-face dimension FTF serie 2 acc. to DIN EN 558		Standard-flange dimensions refer to page 19						
L	(mm)	210	210	230	230	260	260	300

Dimensions								
H	(mm)	228	228	228	228	292	292	300
ØC	(mm)	180	180	180	180	225	225	225
Travel	(mm)	11	11	11	11	17	17	21
Kvs-value	(m³/h)	2,7	4,2	6,4	8,6	21,8	24,2	33
Zeta-value	--	2,19	4,58	6,24	8,43	3,52	6,98	9,16
Zeta-value ... range of tolerance for Kvs-values acc. to VDI/VDE 2173								

Weights								
46./86.006	(kg)	--	--	--	--	--	--	26
48./88.006	(kg)	8,7	8,9	10,5	11,5	19	21	27

Larger nominal diameters refer to page 3.

Information / restriction of technical rules need to be observed!

 Operating and installation instructions can be downloaded at www.ari-armaturen.com.

A production permission acc. to TRB 801 No. 45 is available

The engineer, designing a system or a plant, is responsible for the selection of the correct valve.

Resistance and fitness must be verified, contact manufacturer for information (refer to Product overview and Resistance list)

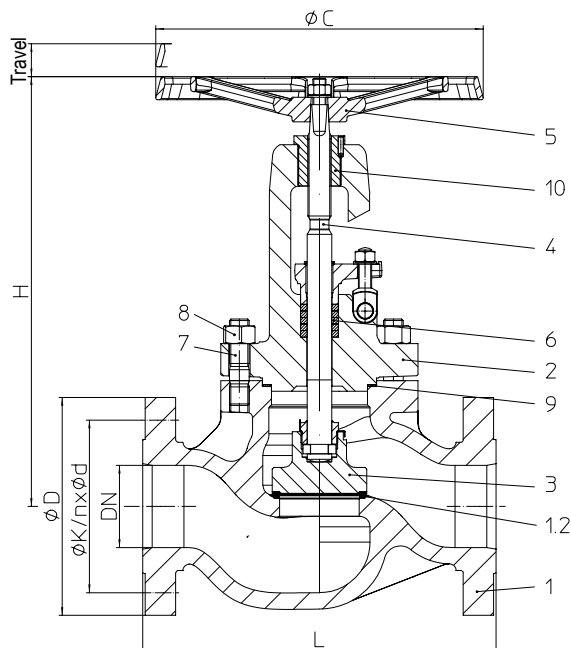
Stop valve - straight through with flanges and gland seal (Cast steel, High temperature cast steel)


Figure	Nominal pressure	Material	Nominal diameter
36.006...30	PN63	1.0619+N	DN65-100
37.006...30	PN100	1.0619+N	DN65-100
38.006...30	PN160	1.0619+N	DN65-100

86.006...89	PN63	1.7357	DN65-100
87.006...89	PN100	1.7357	DN65-100
88.006...89	PN160	1.7357	DN65-100

DN125-150 on request.
Smaller nominal diameters refer to page 2.

At high differential pressures a balancing plug is necessary! (refer to page 22)

Options: non-rising handwheel (refer to page 7)

Parts				
Pos.	Sp.p.	Description	Fig. 36./37./38.006...30	Fig. 86./87./88.006...89
1		Body	GP240GH+N, 1.0619+N	G17CrMo5-5, 1.7357
1.2		Seat	Stellit 21	
2		Bonnet	GP240GH+N, 1.0619+N	G17CrMo5-5, 1.7357
3	x	Plug	P250 GH, 1.0460 / Stellit 6	13CrMo4-5, 1.7335 / Stellit 6
4	x	Stem	X39CrMo17-1+QT, 1.4122+QT (burnished)	
5		Handwheel	EN-GJS-400-15, EN-JS1030 (FE 13 epoxy-coating)	
6	x	Packing unit	Pure graphite	
7		Stud	21CrMoV 5-7, 1.7709	
8		Hexagon nut	21CrMoV 5-7, 1.7709	
9	x	Gasket	Pure graphite (with Cr-Ni-grooved)	
10		Insert nuts	CuZn35Ni3Mn2AlPb-R490, CW710R-R490	
L Spare parts				

DN	65	80	100	125	150
----	----	----	-----	-----	-----

Face-to-face dimension FTF serie 2 acc. to DIN EN 558					Standard-flange dimensions refer to page 19	
L	(mm)	340	380	430	on request	

Dimensions						
H	(mm)	470	492	523	on request	
ØC	(mm)	400	400	400		
Travel	(mm)	27	32	39		
Kvs-value	(m³/h)	71	122	162		
Zeta-value	--	5,65	4,39	6,08		
Zeta-value ... range of tolerance for Kvs-values acc. to VDI/VDE 2173						

Weights						
36./86.006	(kg)	54	73	95	on request	
37./38.006	(kg)	64	85	111		
86./87.006	(kg)					
Smaller nominal diameters refer to page 2.						

Information / restriction of technical rules need to be observed!

Operating and installation instructions can be downloaded at www.ari-armaturen.com.

A production permission acc. to TRB 801 No. 45 is available

The engineer, designing a system or a plant, is responsible for the selection of the correct valve.

Resistance and fitness must be verified, contact manufacturer for information (refer to Product overview and Resistance list)

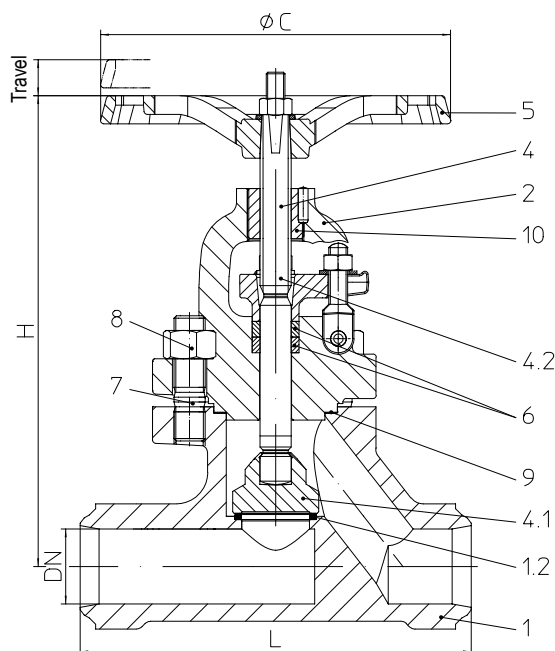
Stop valve - straight through with butt weld ends and gland seal (Forged steel, High temperature steel)


Figure	Nominal pressure	Material	Nominal diameter
46.005...40	PN63	1.0460	DN10-50
47.005...40	PN100	1.0460	DN10-50
48.005...40	PN160	1.0460	DN10-50

86.005...80	PN63	1.5415	DN10-50
87.005...80	PN100	1.5415	DN10-50
88.005...80	PN160	1.5415	DN10-50
86.005...81	PN63	1.7335	DN10-50
87.005...81	PN100	1.7335	DN10-50
88.005...81	PN160	1.7335	DN10-50

Larger nominal diameters refer to page 5.

Butt weld ends according to DIN EN 12627 (refer to page 19)
Options: non-rising handwheel (refer to page 8)

Parts					
Pos.	Sp.p.	Description	Fig. 46./47./48.005...40	Fig. 86./87./88.005...80	Fig. 86./87./88.005...81
1		Body	P250 GH, 1.0460	16Mo3, 1.5415	13CrMo4-5, 1.7335
1.2		Seat	Stellit 21		
2		Bonnet	P250 GH, 1.0460	16Mo3, 1.5415	13CrMo4-5, 1.7335
4	x (unit)	Spindle unit			
4.1		Plug	X20Cr13+QT, 1.4021+QT hardened)	13CrMo4-5, 1.7335 / Stellit 6	
4.2		Stem	X20Cr13+QT, 1.4021+QT burnished)	X39CrMo17-1+QT, 1.4122+QT (burnished)	
5		Handwheel	EN-GJS-400-15, EN-JS1030 (FE 13 epoxy-coating)		
6	x	Packing ring	Pure graphite		
7		Stud	21CrMoV 5-7, 1.7709		
8		Hexagon nut	21CrMoV 5-7, 1.7709		
9	x	Gasket	Pure graphite (CrNi laminated with graphite)		
10		Insert nuts	11SMn30+C, 1.0715+C (nitrated)		
L Spare parts					

DN	10	15	20	25	32	40	50
----	----	----	----	----	----	----	----

Face-to-face dimension ETE serie 65 acc. to DIN EN 12982								
L	(mm)	150	150	150	160	180	210	250

Dimensions								
H	(mm)	228	228	228	228	292	292	300
ØC	(mm)	180	180	180	180	225	225	225
Travel	(mm)	11	11	11	11	17	17	21
Kvs-value	(m³/h)	2,7	4,2	6,4	8,6	21,8	24,2	33
Zeta-value	--	2,19	4,58	6,24	8,43	3,52	6,89	9,16
Zeta-value ... range of tolerance for Kvs-values acc. to VDI/VDE 2173								

Weights								
46./47./48.005	(kg)	6,5	6,5	6,5	6,6	13,2	13,2	16,2
86./87./88.005								

Larger nominal diameters refer to page 5.

Information / restriction of technical rules need to be observed!

 Operating and installation instructions can be downloaded at www.ari-armaturen.com.

A production permission acc. to TRB 801 No. 45 is available

The engineer, designing a system or a plant, is responsible for the selection of the correct valve.

Resistance and fitness must be verified, contact manufacturer for information (refer to Product overview and Resistance list)

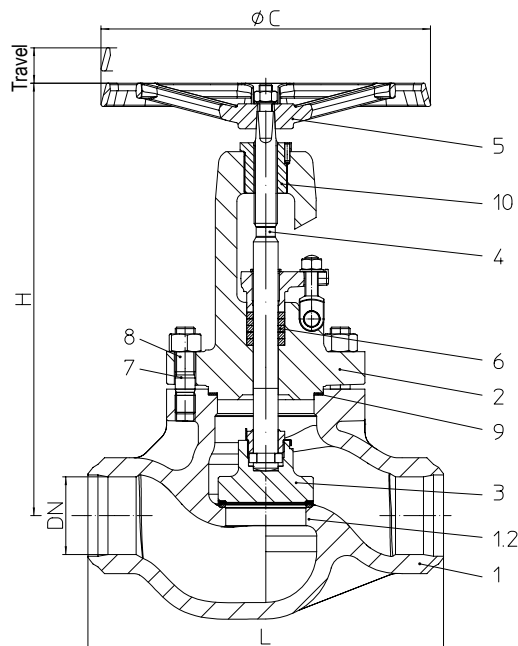
Stop valve - straight through with butt weld ends and gland seal (Cast steel, High temperature cast steel)


Figure	Nominal pressure	Material	Nominal diameter
36.005...30	PN63	1.0619+N	DN65-100
37.005...30	PN100	1.0619+N	DN65-100
38.005...30	PN160	1.0619+N	DN65-100

86.005...89	PN63	1.7357	DN65-100
87.005...89	PN100	1.7357	DN65-100
88.005...89	PN160	1.7357	DN65-100

DN125-150 on request.
Smaller nominal diameters refer to page 4.

Butt weld ends according to DIN EN 12627 (refer to page 19)

At high differential pressures a balancing plug is necessary! (refer to page 22)

Options: non-rising handwheel (refer to page 9)

Parts				
Pos.	Sp.p.	Description	Fig. 36./37./38.005...30	Fig. 86./87./88.005...89
1		Body	GP240GH+N, 1.0619+N	G17CrMo5-5, 1.7357
1.2		Seat	Stellit 21	
2		Bonnet	GP240GH+N, 1.0619+N	G17CrMo5-5, 1.7357
3	x	Plug	P250 GH, 1.0460 / Stellit 6	13CrMo4-5, 1.7335 / Stellit 6
4	x	Stem	X39CrMo17-1+QT, 1.4122+QT (burnished)	
5		Handwheel	EN-GJS-400-15, EN-JS1030 (FE 13 epoxy-coating)	
6	x	Packing unit	Pure graphite	
7		Stud	21CrMoV 5-7, 1.7709	
8		Hexagon nut	21CrMoV 5-7, 1.7709	
9	x	Gasket	Pure graphite (with Cr-Ni-grooved)	
10		Insert nuts	CuZn35Ni3Mn2AlPb-R490, CW710R-R490	
L Spare parts				

DN	65	80	100	125	150
----	----	----	-----	-----	-----

Face-to-face dimension ETE serie 65 acc. to DIN EN 12982					
L	(mm)	340	380	430	on request

Dimensions					
H	(mm)	470	492	523	on request
ØC	(mm)	400	400	400	
Travel	(mm)	27	32	39	
Kvs-value	(m³/h)	71	122	162	
Zeta-value	--	5,65	4,39	6,08	
Zeta-value ... range of tolerance for Kvs-values acc. to VDI/VDE 2173					

Weights					
36./37./38.005 86./87./88.005	(kg)	50	71	91	on request
Smaller nominal diameters refer to page 4.					

Information / restriction of technical rules need to be observed!

Operating and installation instructions can be downloaded at www.ari-armaturen.com.

A production permission acc. to TRB 801 No. 45 is available

The engineer, designing a system or a plant, is responsible for the selection of the correct valve.

Resistance and fitness must be verified, contact manufacturer for information (refer to Product overview and Resistance list)

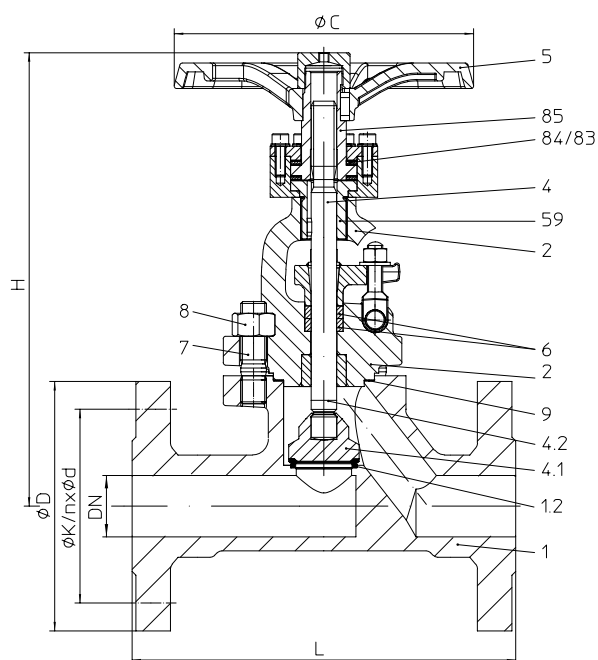
Stop valve - straight through with flanges and gland seal (Forged steel, High temperature steel)


Figure	Nominal pressure	Material	Nominal diameter
48.006...40...1	PN63-160	1.0460	DN10-40
46.006...40...1	PN63	1.0460	DN50
48.006...40...1	PN100-160	1.0460	DN50

88.006...81...1	PN63-160	1.7335	DN10-40
86.006...81...1	PN63	1.7335	DN50
88.006...81...1	PN100-160	1.7335	DN50

Larger nominal diameters refer to page 7.

Easy conversion to connection F10 acc. to ISO 5210 group (lock bush) B1

Parts				
Pos.	Sp.p.	Description	Fig. 46./48.006...40...1	Fig. 86./88.006...81...1
1		Body	P250 GH, 1.0460	13CrMo4-5, 1.7335
1.2		Seat	Stellit 21	
2		Bonnet	13CrMo4-5, 1.7335	
4		Spindle unit		
4.1	x (unit)	Plug	X20Cr13+QT, 1.4021+QT (hardened)	13CrMo4-5, 1.7335 / Stellit 6
4.2		Stem	X20Cr13+QT, 1.4021+QT (burnished)	X39CrMo17-1+QT, 1.4122+QT (burnished)
5		Handwheel	EN-GJL-250, EN-JL1040 (FE 13 epoxy-coating)	
6	x	Packing ring	Pure graphite	
7		Stud	21CrMoV 5-7, 1.7709	
8		Hexagon nut	21CrMoV 5-7, 1.7709	
9	x	Gasket	Pure graphite (CrNi laminated with graphite)	
59		Screw joint	11SMn30+C, 1.0715+C (nitrated)	
83 / 84		Nadellager	St	
85		Insert nuts	11SMn30+C, 1.0715+C (nitrated)	
		L Spare parts		

DN	10	15	20	25	32	40	50
----	----	----	----	----	----	----	----

Face-to-face dimension FTF serie 2 acc. to DIN EN 558 Standard-flange dimensions refer to page 19

L	(mm)	210	210	230	230	260	260	300
---	------	-----	-----	-----	-----	-----	-----	-----

Dimensions								
H	(mm)	273	273	273	273	334	334	347
ØC	(mm)	180	180	180	180	225	225	225
Travel	(mm)	11	11	11	11	17	17	21
Kvs-value	(m³/h)	2,7	4,2	6,4	8,6	21,8	24,2	33
Zeta-value	--	2,19	4,58	6,24	8,43	3,52	6,98	9,16

Zeta-value ... range of tolerance for Kvs-values acc. to VDI/VDE 2173

Weights								
46./86.006 ...1	(kg)	--	--	--	--	--	--	29
48./88.006 ...1	(kg)	10,7	10,9	12,5	13,5	22	24	30

Larger nominal diameters refer to page 7.

Information / restriction of technical rules need to be observed!

Operating and installation instructions can be downloaded at www.ari-armaturen.com.

A production permission acc. to TRB 801 No. 45 is available

The engineer, designing a system or a plant, is responsible for the selection of the correct valve.

Resistance and fitness must be verified, contact manufacturer for information (refer to Product overview and Resistance list)

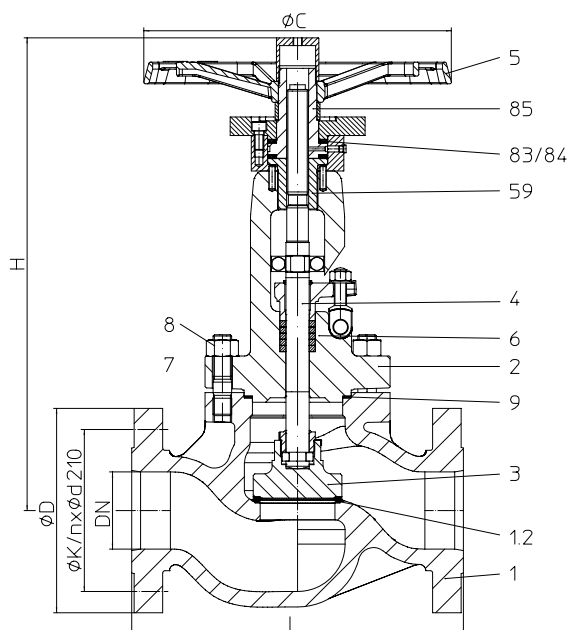
Stop valve - straight through with flanges and gland seal (Forged steel, High temperature steel)


Figure	Nominal pressure	Material	Nominal diameter
36.006...30...1	PN63	1.0619+N	DN65-100
37.006...30...1	PN100	1.0619+N	DN65-100
38.006...30...1	PN160	1.0619+N	DN65-100

86.006...89...1	PN63	1.7357	DN65-100
87.006...89...1	PN100	1.7357	DN65-100
88.006...89...1	PN160	1.7357	DN65-100

DN125-150 on request.
Smaller nominal diameters refer to page 6.

At high differential pressures a balancing plug is necessary! (refer to page 22)

Parts				
Pos.	Sp.p.	Description	Fig. 36./37./38.006...30...1	Fig. 86./87./88.006...89...1
1		Body	GP240GH+N, 1.0619+N	G17CrMo5-5, 1.7357
1.2		Seat	Stellit 21	
2		Bonnet	GP240GH+N, 1.0619+N	G17CrMo5-5, 1.7357
3	x	Plug	P250 GH, 1.0460 / Stellit 6	13CrMo4-5, 1.7335 / Stellit 6
4	x	Stem	X39CrMo17-1+QT, 1.4122+QT (burnished)	
5		Handwheel	EN-GJL-250, EN-JL1040 (FE 13 epoxy-coating)	
6	x	Packing ring	Pure graphite	
7		Stud	21CrMoV 5-7, 1.7709	
8		Hexagon nut	21CrMoV 5-7, 1.7709	
9	x	Gasket	Pure graphite (with Cr-Ni-grooved)	
59		Screw joint	P250 GH, 1.0460	
83 / 84		Nadellager	St	
85	x	Insert nuts	CuZn35Ni3Mn2AlPb-R490, CW710R-R490	
L Spare parts				

DN	65	80	100	125	150
----	----	----	-----	-----	-----

Face-to-face dimension FTF serie 2 acc. to DIN EN 558					Standard-flange dimensions refer to page 19	
L	(mm)	340	380	430	on request	

Dimensions						
H	(mm)	562	584	613	on request	
ØC	(mm)	400	400	400		
Travel	(mm)	27	32	39		
Kvs-value	(m³/h)	71	122	162		
Zeta-value	--	5,65	4,39	6,08		

Zeta-value ... range of tolerance for Kvs-values acc. to VDI/VDE 2173

Weights						
36./86.006	(kg)	65	84	106	on request	
37./38.006						
87./88.006	(kg)	75	96	122		

Smaller nominal diameters refer to page 6.

Information / restriction of technical rules need to be observed!

Operating and installation instructions can be downloaded at www.ari-armaturen.com.

A production permission acc. to TRB 801 No. 45 is available

The engineer, designing a system or a plant, is responsible for the selection of the correct valve.

Resistance and fitness must be verified, contact manufacturer for information (refer to Product overview and Resistance list)

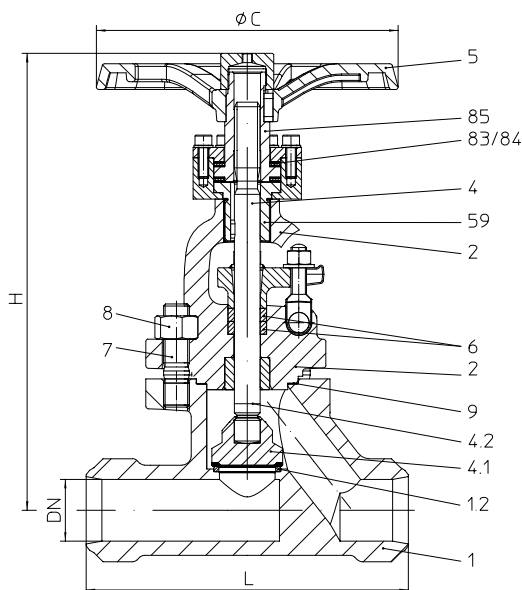
Stop valve - straight through with butt weld ends and gland seal (Forged steel, High temperature steel)


Figure	Nominal pressure	Material	Nominal diameter
46.005...40...1	PN63	1.0460	DN10-50
47.005...40...1	PN100	1.0460	DN10-50
48.005...40...1	PN160	1.0460	DN10-50

86.005...80...1	PN63	1.5415	DN10-50
87.005...80...1	PN100	1.5415	DN10-50
88.005...80...1	PN160	1.5415	DN10-50
86.005...81...1	PN63	1.7335	DN10-50
87.005...81...1	PN100	1.7335	DN10-50
88.005...81...1	PN160	1.7335	DN10-50

Larger nominal diameters refer to page 9.

Butt weld ends according to DIN EN 12627 (refer to page 19)
Easy conversion to connection F10 acc. to ISO 5210 group (lock bush) B1

Parts				
Pos.	Sp.p.	Description	Fig. 48.005...40...1	Fig. 88.005...80...1
1		Body	P250 GH, 1.0460	16Mo3, 1.5415
1.2		Seat	Stellit 21	
2		Bonnet	13CrMo4-5, 1.7335	
4		Spindle unit		
4.1	x (unit)	Plug	X20Cr13+QT, 1.4021+QT hardened)	13CrMo4-5, 1.7335 / Stellit 6
4.2		Stem	X20Cr13+QT, 1.4021+QT burnished)	X39CrMo17-1+QT, 1.4122+QT (burnished)
5		Handwheel	EN-GJL-250, EN-JL1040 (FE 13 epoxy-coating)	
6	x	Packing ring	Pure graphite	
7		Stud	21CrMoV 5-7, 1.7709	
8		Hexagon nut	21CrMoV 5-7, 1.7709	
9	x	Gasket	Pure graphite (CrNi laminated with graphite)	
59		Screw joint	11SMn30+C, 1.0715+C (nitrated)	
83 / 84		Nadellager	St	
85		Insert nuts	11SMn30+C, 1.0715+C (nitrated)	
		L Spare parts		

DN	10	15	20	25	32	40	50
----	----	----	----	----	----	----	----

Face-to-face dimension ETE serie 65 acc. to DIN EN 12982

L	(mm)	150	150	150	160	180	210	250
---	------	-----	-----	-----	-----	-----	-----	-----

Dimensions

	(mm)	273	273	273	273	334	334	347
H	(mm)	180	180	180	180	225	225	225
ØC	(mm)	11	11	11	11	17	17	21
Travel	(mm)	2,7	4,2	6,4	8,6	21,8	24,2	33
Kvs-value	(m³/h)	--	2,19	4,58	6,24	8,43	3,52	6,89
Zeta-value	--							

Zeta-value ... range of tolerance for Kvs-values acc. to VDI/VDE 2173

Weights

48.005 / 88.005...1	(kg)	8,5	8,5	8,5	8,5	16,2	16,2	19,2
---------------------	------	-----	-----	-----	-----	------	------	------

Larger nominal diameters refer to page 9.

Information / restriction of technical rules need to be observed!

 Operating and installation instructions can be downloaded at www.ari-armaturen.com.

A production permission acc. to TRB 801 No. 45 is available

The engineer, designing a system or a plant, is responsible for the selection of the correct valve.

Resistance and fitness must be verified, contact manufacturer for information (refer to Product overview and Resistance list)

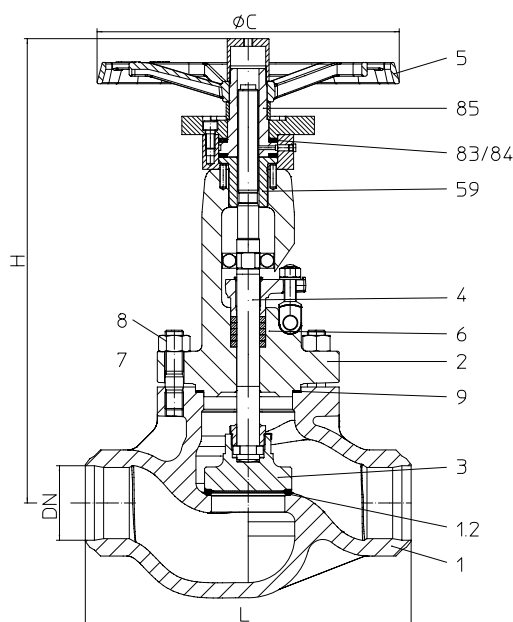
Stop valve - straight through with butt weld ends and gland seal (Forged steel, High temperature steel)


Figure	Nominal pressure	Material	Nominal diameter
36.005...30...1	PN63	1.0619+N	DN65-100
37.005...30...1	PN100	1.0619+N	DN65-100
38.005...30...1	PN160	1.0619+N	DN65-100

86.005...89...1	PN63	1.7357	DN65-100
87.005...89...1	PN100	1.7357	DN65-100
88.005...89...1	PN160	1.7357	DN65-100

DN125-150 on request.
Smaller nominal diameters refer to page 8.

Butt weld ends according to DIN EN 12627 (refer to page 19)

At high differential pressures a balancing plug is necessary! (refer to page 22)

Parts				
Pos.	Sp.p.	Description	Fig. 36./37./38.005...30...1	Fig. 86./87./88.005...89...1
1		Body	GP240GH+N, 1.0619+N	G17CrMo5-5, 1.7357
1.2		Seat	Stellit 21	
2		Bonnet	GP240GH+N, 1.0619+N	G17CrMo5-5, 1.7357
3	x	Plug	P250 GH, 1.0460 / Stellit 6	13CrMo4-5, 1.7335 / Stellit 6
4	x	Stem	X39CrMo17-1+QT, 1.4122+QT (burnished)	
5		Handwheel	EN-GJL-400-15, EN-JL 1040 (FE 13 epoxy-coating)	
6	x	Packing ring	Pure graphite	
7		Stud	21CrMoV 5-7, 1.7709	
8		Hexagon nut	21CrMoV 5-7, 1.7709	
9	x	Gasket	Pure graphite (with Cr-Ni-grooved)	
59		Screw joint	P250 GH, 1.0460	
83 / 84		Nadellager	St	
85	x	Insert nuts	CuZn35Ni3Mn2AlPb-R490, CW710R-R490	
L Spare parts				

DN	65	80	100	125	150
----	----	----	-----	-----	-----

Face-to-face dimension ETE serie 65 acc. to DIN EN 12982					
L	(mm)	340	380	430	on request

Dimensions					
H	(mm)	562	584	613	on request
ØC	(mm)	400	400	400	
Travel	(mm)	27	32	39	
Kvs-value	(m³/h)	71	122	162	
Zeta-value	--	5,65	4,39	6,08	
Zeta-value ... range of tolerance for Kvs-values acc. to VDI/VDE 2173					

Weights					
36./37./38.005	(kg)	61	82	102	on request
86./87./88.005					
Smaller nominal diameters refer to page 8.					

Information / restriction of technical rules need to be observed!

Operating and installation instructions can be downloaded at www.ari-armaturen.com.

A production permission acc. to TRB 801 No. 45 is available

The engineer, designing a system or a plant, is responsible for the selection of the correct valve.

Resistance and fitness must be verified, contact manufacturer for information (refer to Product overview and Resistance list)

Stop valve in straightway form with gland packing with pneumatic actuator ARI-DP

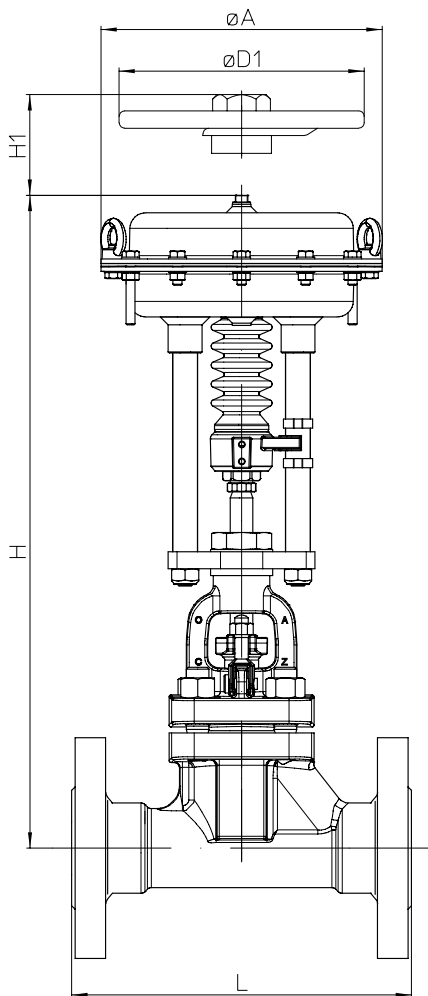


Fig. 006

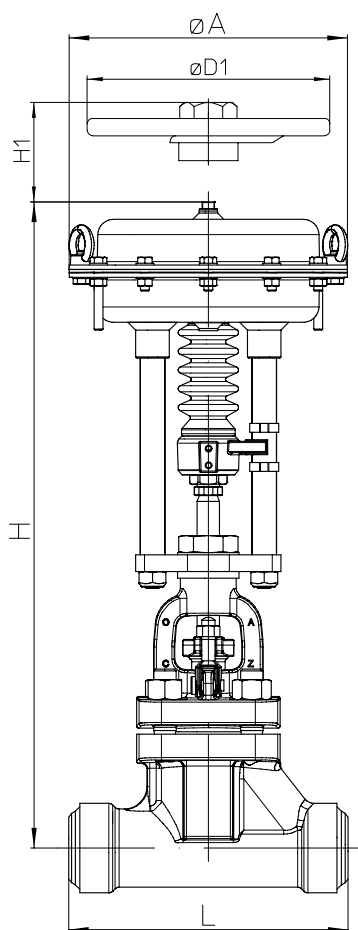


Fig. 005

Actuator data		DP32	DP33	DP34
Ø A	(mm)	250	300	405
Eff. diaphragm area	(cm ²)	250	400	800
Ø D1	(mm)	225	300	400
H1	(mm)	270	284	442
Weight	(kg)	5		17

Technical data and accessories of actuators: refer to ARI-DP data sheet

Heights and weights

Technical data and accessories of actuators: refer to actuator data sheet

DN				10	15	20	25	32	40	50	65	80	100	125	150
DP32	Fig. 006	H	(mm)	515	515	515	515	--	--	--	--	--	--	--	--
		PN63-160	(kg)	18	18,2	19,8	20,8	--	--	--	--	--	--	--	--
	Fig. 005	H	(mm)	515	515	515	515	--	--	--	--	--	--	--	--
		PN63-160	(kg)	15,7	15,7	15,7	15,9	--	--	--	--	--	--	--	--
DP33	Fig. 006	H	(mm)	568	568	568	568	629	629	642	--	--	--	--	--
		PN63-160	(kg)	24	24,2	25,8	26,8	35	37	42,5	--	--	--	--	--
	Fig. 005	H	(mm)	568	568	568	568	629	629	642	--	--	--	--	--
		PN63-160	(kg)	21,7	21,7	21,7	21,9	29,2	29,2	31,7	--	--	--	--	--
DP34	Fig. 006	H	(mm)	--	--	--	--	738	738	751	on request				
		PN63-160	(kg)	--	--	--	--	65	67	72,5					
	Fig. 005	H	(mm)	--	--	--	--	738	738	751					
		PN63-160	(kg)	--	--	--	--	59,2	59,2	61,7					

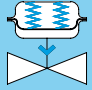
Fig. 006: Face-to-face dimension FTF serie 2 acc. to DIN EN 558

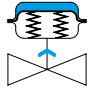
Standard-flange dimensions refer to page 19

Fig. 005: Face-to-face dimension ETE serie 65 acc. to DIN EN 12982

Valves with butt weld ends refer to page 19

max. permissible closing pressures on flow-to-open P2 = 0.
 Observe restrictions by Pressure-temperature-ratings, refer to page 20.

DN					10	15	20	25
Kvs-value				(m ³ /h)	2,7	4,2	6,4	8,6
max. differential press. ¹⁾				(bar)	2	2	2	2
Travel				(mm)	11	11	11	11
DP32 250 cm² Spring closes on air failure  (Extended stem on air failure)	Spring range (bar)	2-3,3	4,5	(bar)	40	40	40	40
		Air supply pressure min. (bar) ²⁾						

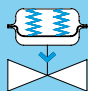
DN					10	15	20	25
Kvs-value				(m ³ /h)	2,7	4,2	6,4	8,6
max. differential press. ¹⁾				(bar)	2	2	2	2
Travel				(mm)	11	11	11	11
DP32 250 cm² Spring opens on air failure  (Retracted stem on air failure)	Air supply pressure min. (bar) ²⁾	4,5	(bar)	40	40	40	40	
		6	(bar)	60	60	60	60	

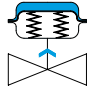
¹⁾ Max. differential pressure drop at flow

²⁾ max. permissible operating pressure: 6 bar

max. permissible closing pressures on flow-to-open P2 = 0.

Observe restrictions by Pressure-temperature-ratings, refer to page 20.

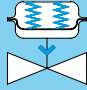
DN		10	15	20	25	32	40	50	
Kvs-value	(m ³ /h)	2,7	4,2	6,4	8,6	21,8	24,2	33	
max. differential press. ¹⁾	(bar)	2	2	2	2	2	2	2	
Travel	(mm)	11	11	11	11	17	17	21	
DP33 400 cm² Spring closes on air failure  (Extended stem on air failure)	Spring range (bar)	2,3-3,7							
	Air supply pressure min. (bar) ²⁾	4,5	(bar)	60	60	60	60	25	25

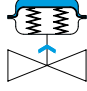
DN		10	15	20	25	32	40	50		
Kvs-value	(m ³ /h)	2,7	4,2	6,4	8,6	21,8	24,2	33		
max. differential press. ¹⁾	(bar)	2	2	2	2	2	2	2		
Travel	(mm)	11	11	11	11	17	17	21		
DP33 400 cm² Spring opens on air failure  (Retracted stem on air failure)	Air supply pressure min. (bar) ²⁾	4,5	(bar)	60	60	60	60	25	25	20
		6	(bar)	80	80	80	80	40	40	35

¹⁾ Max. differential pressure drop at flow

²⁾ max. permissible operating pressure: 6 bar

max. permissible closing pressures on flow-to-open P2 = 0.
 Observe restrictions by Pressure-temperature-ratings, refer to page 20.

DN				32	40	50	65	80	100	125	150	
Kvs-value				(m ³ /h)	21,8	24,2	33	on request				
max. differential press. ¹⁾				(bar)	2	2	2					
Travel				(mm)	17	17	21					
DP34 800 cm² Spring closes on air failure  (Extended stem on air failure)	Spring range (bar)	2,4-3,6	Air supply pressure min. (bar) ²⁾	4,5	(bar)	60	60					
						60	60	50				

DN				32	40	50	65	80	100	125	150	
Kvs-value				(m ³ /h)	21,8	24,2	33	on request				
max. differential press. ¹⁾				(bar)	2	2	2					
Travel				(mm)	17	17	21					
DP34 800 cm² Spring opens on air failure  (Retracted stem on air failure)	Air supply pressure min. (bar) ²⁾	4,5	(bar)	65	65	60						
				6	(bar)	80	80	70				

¹⁾ Max. differential pressure drop at flow

²⁾ max. permissible operating pressure: 6 bar

Stop valve in straightway form with gland packing with electric actuator ARI-PREMIO / PREMIO-Plus 2G

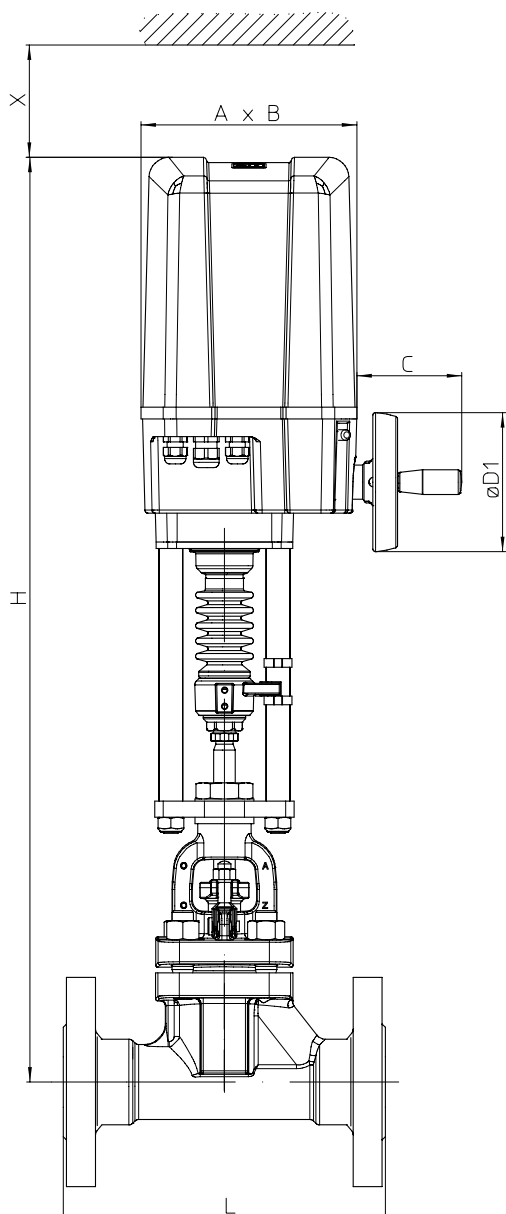


Fig. 006

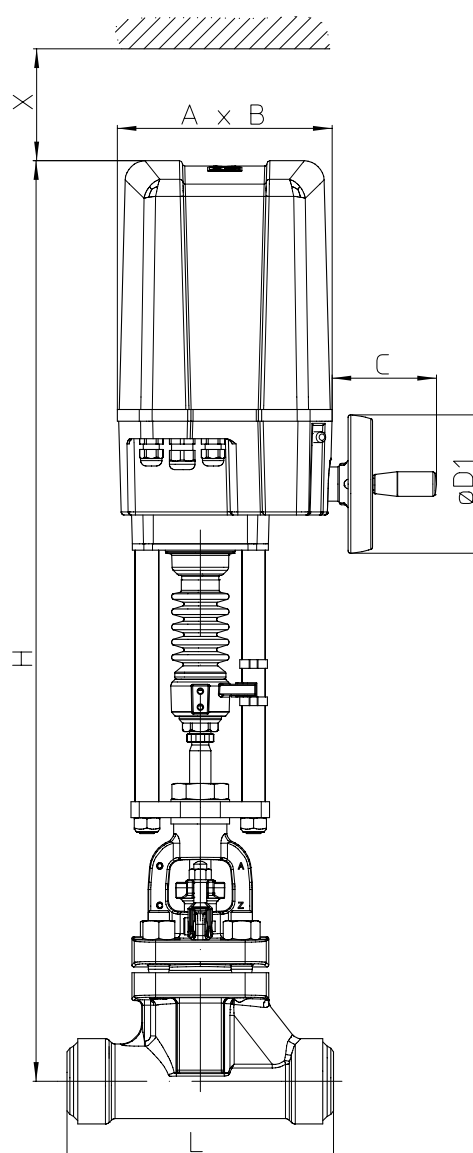


Fig. 005

Actuator data		5 kN	12 - 15 kN
A	(mm)	171	210
B	(mm)	156	184
C	(mm)	50	90
Ø D1	(mm)	90	130
X	(mm)	150	200

Further technical data of the actuator: refer to data sheet ARI-PREMIO/PREMIO-Plus 2G

Heights and weights

DN	10	15	20	25	32	40	50	65	80	100	125	150	
Fig. 006	H	(mm)	651	651	651	651	--	--	--	--	--	--	--
	5 kN	PN63-160	(kg)	15	15,2	16,8	17,8	--	--	--	--	--	--
	H	(mm)	801	801	801	801	851	851	864	on request			
	12 kN / 15 kN	PN63-160	(kg)	19,5	19,7	21,3	22,3	30,5	32,5	38	on request		

Face-to-face dimension FTF serie 2 acc. to DIN EN 558

Standard-flange dimensions refer to page 19

Fig. 005	H	(mm)	651	651	651	651	--	--	--	--	--	--	--
	5 kN	PN63-160	(kg)	12,7	12,7	12,7	12,9	--	--	--	--	--	--
	H	(mm)	801	801	801	801	851	851	864	on request			
	12 kN / 15 kN	PN63-160	(kg)	17,2	17,2	17,2	17,4	24,7	24,7	27,2	on request		

Face-to-face dimension ETE serie 65 acc. to DIN EN 12982

Valves with butt weld ends refer to page 19

max. permissible closing pressures on flow-to-open P2 = 0.
 Observe restrictions by Pressure-temperature-ratings, refer to page 20.

DN		10	15	20	25	32	40	50	65	80	100	125	150	
Kvs-value	(m³/h)	2,7	4,2	6,4	8,6	21,8	24,2	33	on request					
max. differential press. ¹⁾	(bar)	2	2	2	2	2	2	2						
Travel	(mm)	11	11	11	11	17	17	21						
5 kN	Closing pressure	(bar)	30	30	30	30								
	Operating time	(s)	29	29	29	29								
	Control speed	(mm/s)	0,38											
12 kN	Closing pressure	(bar)	60	60	60	60	50	50						40
	Operating time	(s)	29	29	29	29	45	45						45
	Control speed	(mm/s)	0,38											
15 kN	Closing pressure	(bar)	70	70	70	70	60	60						50
	Operating time	(s)	29	29	29	29	45	45						45
	Control speed	(mm/s)	0,38											

Further operating speeds: refer to data sheet ARI-PREMIO/PREMIO-Plus 2G

Operating time [s]=	$\frac{\text{Travel [mm]}}{\text{Operating speed [mm/s]}}$
----------------------------	--

¹⁾ Max. differential pressure drop at flow

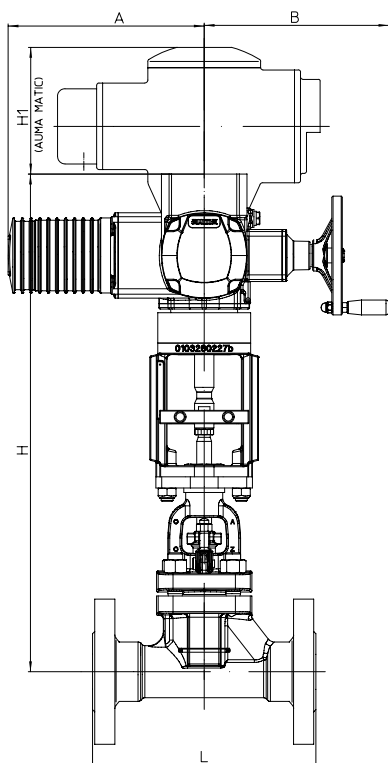
Stop valve in straightway form with gland packing with electric actuator AUMA


Fig. 006

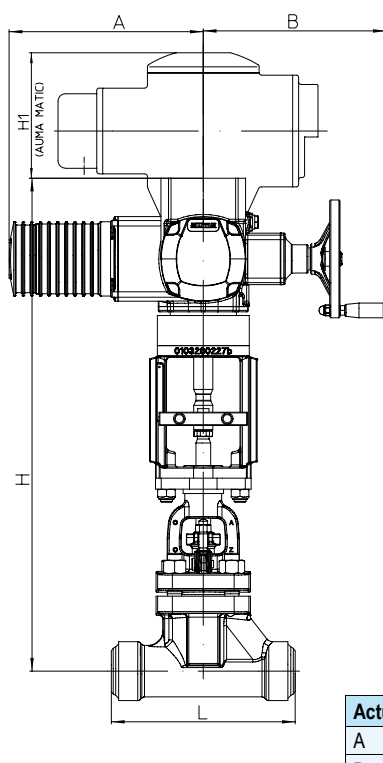


Fig. 005

Connection
acc. to ISO 5210
group A

Actuator data		SA 07.6	SA 10.2
A	(mm)	265	283
B	(mm)	249	254
H1 (AUMA MATIC)	(mm)	130	
Supply voltage: 400V 50Hz 3~ (Other voltages on request)			
Technical data for actuator refer to price list.			

Heights and weights

DN			10	15	20	25	32	40	50	65	80	100	125	150
Fig. 006	H	(mm)	707	707	707	707	758	758	771	--	--	--	--	--
	SA 07.6	PN63-160	(kg)	27,9	28,1	29,7	30,7	39	41	46,5	--	--	--	--
	H	(mm)	--	--	--	--	770	770	783	on request				
	SA 10.2	PN63-160	(kg)	--	--	--	--	43	42					
Face-to-face dimension FTF serie 2 acc. to DIN EN 558										Standard-flange dimensions refer to page 19				

Fig. 005	H	(mm)	707	707	707	707	758	758	771	--	--	--	--	--
	SA 07.6	PN63-160	(kg)	25,6	25,6	25,6	25,8	33,2	33,2	35,7	--	--	--	--
	H	(mm)	--	--	--	--	770	770	783	on request				
	SA 10.2	PN63-160	(kg)	--	--	--	--	37,2	37,2					
Face-to-face dimension ETE serie 65 acc. to DIN EN 12982										Valves with butt weld ends refer to page 19				

max. permissible closing pressures on flow-to-open P2 = 0.

Observe restrictions by Pressure-temperature-ratings, refer to page 20.

DN		10	15	20	25	32	40	50	65	80	100	125	150	
Kvs-value	(m ³ /h)	2,7	4,2	6,4	8,6	21,8	24,2	33	on request					
max. differential press. ¹⁾	(bar)	2	2	2	2	2	2	2						
Travel	(mm)	11	11	11	11	17	17	21						
SA 07.6 Output drive Form A TR 26 x 5 - LH	Closing pressure	(bar)	160	160	160	160	80	80						80
	Torque	(Nm)	60	60	60	60	60	60						60
	Operating time (50 Hz)	(s)	8	8	8	8	13	13						15
	Output drive	(rpm)	16	16	16	16	16	16						16
SA 10.2 Output drive Form A TR 26 x 5 - LH	Closing pressure	(bar)					160	160						160
	Torque	(Nm)					100	100						120
	Operating time (50 Hz)	(s)					13	13						15
	Output drive	(rpm)					16	16						16

¹⁾ Max. differential pressure drop at flow

Stop valve in straightway form with gland packing with electric actuator AUMA

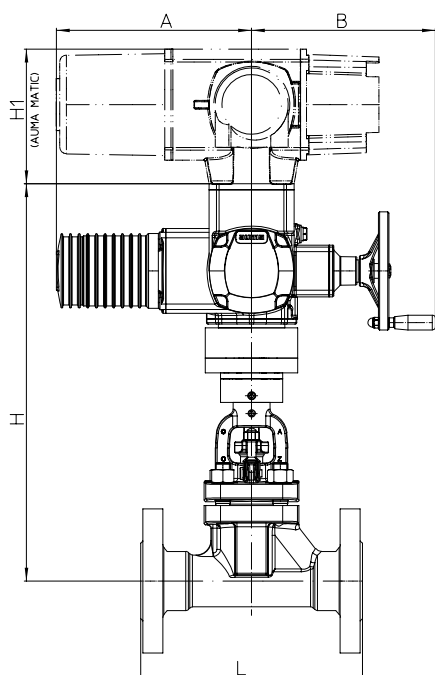


Fig. 006

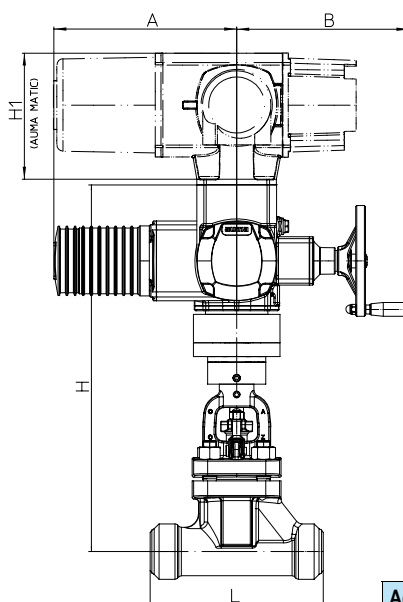


Fig. 005

Connection F10
 acc. to ISO 5210
 group (lock bush) B1

Actuator data		SA 07.6	SA 10.2
A	(mm)	265	283
B	(mm)	249	254
H1 (AUMA MATIC)	(mm)	130	
Supply voltage: 400V 50Hz 3~ (Other voltages on request) Technical data for actuator refer to price list.			

Heights and weights

DN			10	15	20	25	32	40	50	
Fig. 006	H	(mm)	466	466	466	466	520	520	535	
	SA 07.6	PN63-160	(kg)	20,7	20,9	22,5	23,5	42	44	50
	H	(mm)	--	--	--	--	520	520	535	
	SA 10.2	PN63-160	(kg)	--	--	--	--	43	42	50,5
Face-to-face dimension FTF serie 2 acc. to DIN EN 558			Standard-flange dimensions refer to page 19							

Fig. 005	H	(mm)	466	466	466	466	520	520	535	
	SA 07.6	PN63-160	(kg)	18,5	18,5	18,5	18,6	26,2	26,2	29,2
	H	(mm)	--	--	--	--	520	520	535	
	SA 10.2	PN63-160	(kg)	--	--	--	--	37,2	37,2	39,7
Face-to-face dimension ETE serie 65 acc. to DIN EN 12982			Valves with butt weld ends refer to page 19							

Larger nominal diameters refer to page 18

max. permissible closing pressures on flow-to-open P2 = 0.
 Observe restrictions by Pressure-temperature-ratings, refer to page 20.

DN		10	15	20	25	32	40	50	
Kvs-value	(m³/h)	2,7	4,2	6,4	8,6	21,8	24,2	33	
max. differential press. ¹⁾	(bar)	2	2	2	2	2	2	2	
Travel	(mm)	11	11	11	11	17	17	21	
SA 07.6 Output drive Form B1	Closing pressure	(bar)	160	160	160	160	80	80	80
	Torque	(Nm)	60	60	60	60	60	60	60
	Operating time (50 Hz)	(s)	21	21	21	21	32	32	39
	Output drive	(rpm)	16	16	16	16	16	16	16
SA 10.2 Output drive Form B1	Closing pressure	(bar)					160	160	160
	Torque	(Nm)					100	100	120
	Operating time (50 Hz)	(s)					32	32	39
	Output drive	(rpm)					16	16	16

Larger nominal diameters refer to page 18

¹⁾ Max. differential pressure drop at flow

Stop valve in straightway form with gland packing with electric actuator AUMA

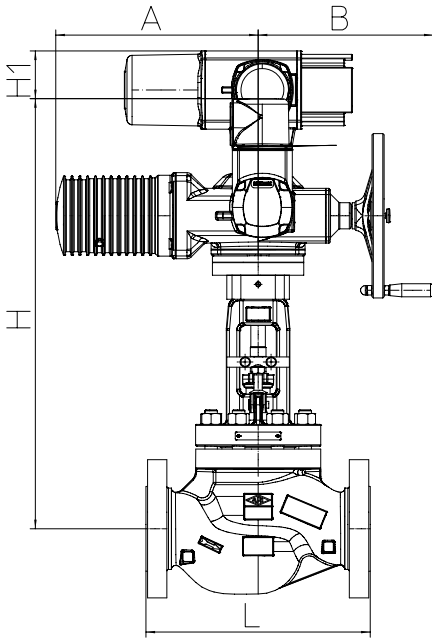


Fig. 006

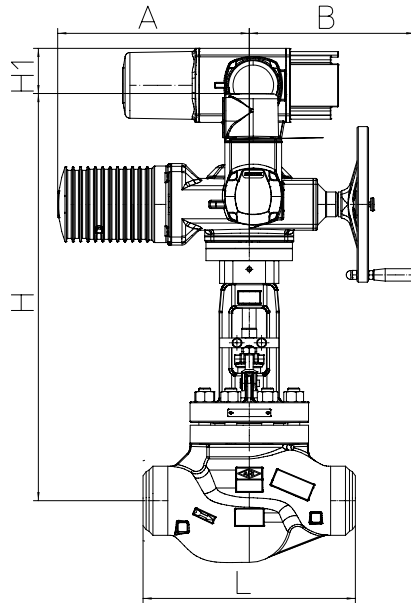


Fig. 005

Connection F14
acc. to ISO 5210
group (lock bush) B1

Actuator data		SA 14.2
A	(mm)	389
B	(mm)	336
H1 (AUMATIC AC)	(mm)	90
Supply voltage: 400V 50Hz 3~ (Other voltages on request)		
Technical data for actuator refer to price list.		

Heights and weights

DN			65	80	100	
Fig. 006	H	(mm)	780	800	830	
	SA 14.2	PN63	(kg)	108	127	149
		PN100-160	(kg)	118	139	165
Face-to-face dimension FTF serie 2 acc. to DIN EN 558			Standard-flange dimensions refer to page 19			
Fig. 005	H	(mm)	780	800	830	
	SA 14.2	PN63-160	(kg)	104	125	145
		Face-to-face dimension ETE serie 65 acc. to DIN EN 12982			Valves with butt weld ends refer to page 19	
Smaller nominal diameters refer to page 17						

max. permissible closing pressures on flow-to-open P2 = 0.

Observe restrictions by Pressure-temperature-ratings, refer to page 20.

DN		65	80	100	
Kvs-value	(m³/h)	71	122	162	
max. differential press. ¹⁾	(bar)	2	2	2	
Travel	(mm)	27	32	39	
SA 14.2 Output drive Form B1	Closing pressure	(bar)	110	70	44
	Torque	(Nm)	200	200	200
	Operating time (50 Hz)	(s)	33	40	49
	Output drive	(min ⁻¹)	16	16	16
Smaller nominal diameters refer to page 17					

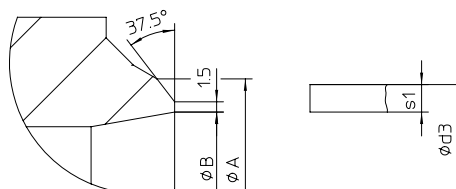
¹⁾ Max. differential pressure drop at flow

DN	10	15	20	25	32	40	50	65	80	100	125	150	
Standard-flange dimensions													
												Flanges according to DIN EN 1092-1 Form B1	
PN63	ØD	(mm)	100	105	130	140	155	170	180	205	215	250	on request
	ØK	(mm)	70	75	90	100	110	125	135	160	170	200	
	n x Ød	(mm)	4 x 14	4 x 14	4 x 18	4 x 18	4 x 22	4 x 22	4 x 22	8 x 22	8 x 22	8 x 26	
PN100	ØD	(mm)	100	105	130	140	155	170	195	220	230	265	
	ØK	(mm)	70	75	90	100	110	125	145	170	180	210	
	n x Ød	(mm)	4 x 14	4 x 14	4 x 18	4 x 18	4 x 22	4 x 22	4 x 26	8 x 26	8 x 26	8 x 30	
PN160	ØD	(mm)	100	105	130	140	155	170	195	220	230	265	
	ØK	(mm)	70	75	90	100	110	125	145	170	180	210	
	n x Ød	(mm)	4 x 14	4 x 14	4 x 18	4 x 18	4 x 22	4 x 22	4 x 26	8 x 26	8 x 26	8 x 30	

Valves with butt weld ends

L = Face-to-face dimension

Edge shaping acc. to DIN EN 25817

 $\text{Ød3} / \text{s1} = \text{corresponding pipe dimension}$


DN	10	15	20	25	32	40	50	65	80	100	125	150
----	----	----	----	----	----	----	----	----	----	-----	-----	-----

Butt weld ends according to DIN EN 12627

L	(mm)	150	150	150	160	180	210	250	340	380	430	on request	
PN63	ØA	(mm)	18	22	28	35	44	50	62	77	91		117
	ØB	(mm)	13,2	17,3	22,3	28,5	37,2	43,1	53,9	68,9	80,9		104,3
	Ød3	(mm)	17,2	21,3	26,9	33,7	42,4	48,3	60,3	76,1	88,9		114,3
	s1	(mm)	2	2	2,3	2,6	2,6	2,6	3,2	3,6	4		5
PN100	ØA	(mm)	18	22	28	35	44	50	62	77	91		117
	ØB	(mm)	13,2	17,3	22,3	28,5	37,2	43,1	53,9	68,9	80,9		104,3
	Ød3	(mm)	17,2	21,3	26,9	33,7	42,4	48,3	60,3	76,1	88,9		114,3
	s1	(mm)	2	2	2,3	2,6	2,6	2,6	3,2	3,6	4		5
PN160	ØA	(mm)	18	22	28	35	44	50	62	77	91		117
	ØB	(mm)	13,2	17,3	22,3	27,3	35,2	41,1	52,3	64,9	76,3		98,3
	Ød3	(mm)	17,2	21,3	26,9	33,7	42,4	48,3	60,3	76,1	88,9		114,3
	s1	(mm)	2	2	2,3	3,2	3,6	3,6	4	5,6	6,3	8	

Face-to-face dimension ETE serie 65 acc. to DIN EN 12982.

The material used for ARI valves with butt weld ends are:

P250GH, 1.0460 acc. to DIN EN 10222-2

16Mo3, 1.5415 acc. to DIN EN 10222-2

13CrMo4-5, 1.7335 acc. to DIN EN 10222-2

GP240GH+N, 1.0619+N acc. to DIN EN 10213

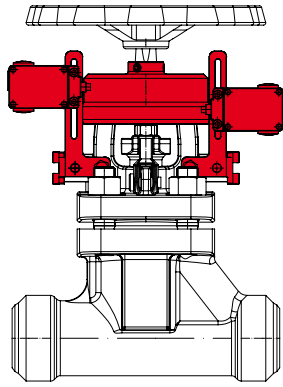
G17CrMo5-5, 1.7357 acc. to DIN EN 10213

Pressure-temperature-ratings Intermediate values for max. permissible operational pressures can be determined by linear interpolation of the given temperature / pressure chart.

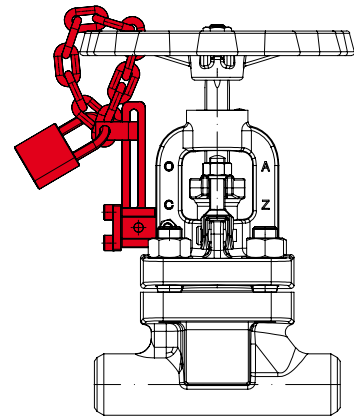
acc. to manufacturers standard			-10°C to 50°C	100°C	150 °C	200°C	250°C	300°C	350°C	400°C
1.0619+N	63	(bar)	63	59	56	53	48	44	41	38
	100	(bar)	100	93	88	83	76	69	64	60
	160	(bar)	160	149	141	133	122	110	103	95

acc. to manufacturers standard			-10°C to 50°C	120°C	150°C	200°C	250°C	300°C	350°C	400°C	450°C
1.0460	PN 63	(bar)	63	63	58	50	45	40	36	32	24
	PN 100	(bar)	100	100	90	80	70	60	56	50	38
	PN 160	(bar)	160	160	145	130	112	96	90	80	60

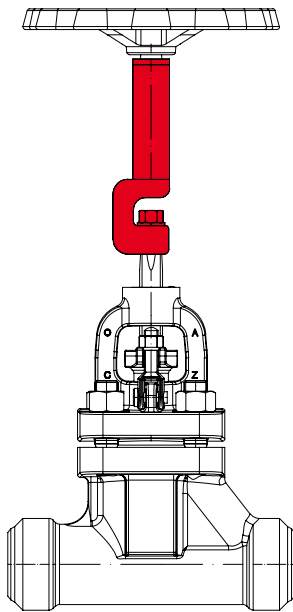
acc. to manufacturers standard			-10°C to 250°C	300°C	350°C	400°C	450°C	500°C	520°C	530°C	540°C	550°C
1.5415	PN 63	(bar)	63	56	50	47	45	29	16	14	--	--
	PN 100	(bar)	100	87	78	74	70	45	27	22	--	--
	PN 160	(bar)	160	139	125	118	112	72	43	35	--	--
1.7335	PN 63	(bar)	63	63	61	58	56	47	32	25	20	15
	PN 100	(bar)	100	100	95	91	87	74	49	38	31	24
	PN 160	(bar)	160	160	153	146	139	118	79	62	46	35
1.7357	PN 63	(bar)	63	63	60	57	53	41	28	23	--	--
	PN 100	(bar)	100	100	95	90	84	65	45	37	--	--
	PN 160	(bar)	160	160	152	144	135	104	72	59	--	--



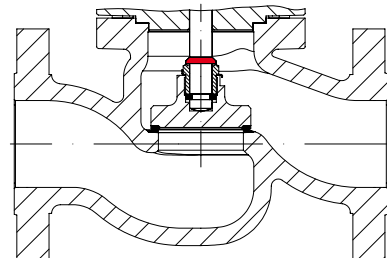
Limit switch, mechanic
(special limit switches on request)



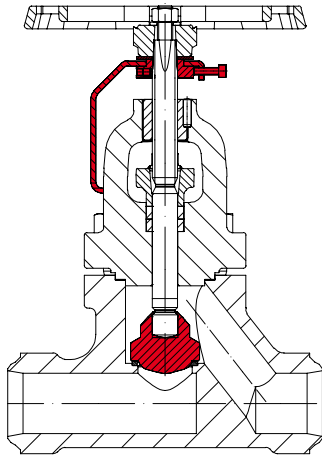
Tamper resistant
handwheel blocking



Stem extension
(please specify height in your order)

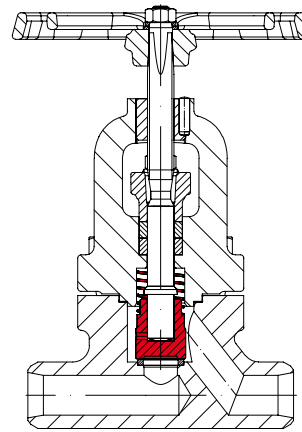


DN65-100: Back seat (when fully opened valve)
DN10-50: standard



DN10-50: Regulating plug with position indicator and locking device
(for max. permissible ΔP refer to: Flow diagram)

DN65-100: on request

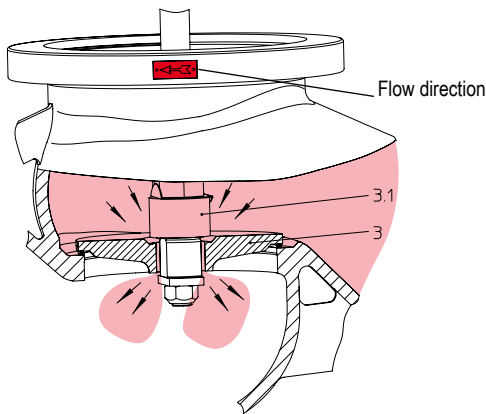


DN10-50: Screw down non-return plug with re-setting spring

DN65-100: on request

Set pressure 0,15 bar

Flow values (Kvs and Zeta) refer to data sheet „Check valves“.



Valves with balancing plugs have to be installed with medium flowing over the plug (3) as indicated by flow direction arrow on valve body.

Working principles:

When the valve is closed, anticlockwise rotation of the hand wheel lifts the pilot plug (3.1) off the larger balancing plug (3).

This allows the medium to pass through the plug and equalizes the pressure of the medium under the plug (3). After the pressures have been equalized within the valves stated in the table, the valve can be opened by turning the valve further with normal manual force.

Balancing plugs are fully effective only in closed systems.

The pressures of the medium on either side of the plug can not be equalized if the medium is discharged into open air.

A bypass line or some other arrangement is necessary if too much time is required for pressure equalization owing to the volume in the piping system.

Balancing plug

ARI-stop valves with differential pressures exceeding the following pressures, have to be fitted with pressure balancing plugs

DN		65	80	100	125	150
Gauge press. (ΔP)	(bar)	110	70	44	on request	

Please indicate when ordering

- Figure-No.
- Nominal pressure
- Nominal diameter
- Special design / accessories

Example:

Figure 46.006; Nominal pressure PN63; Nominal diameter DN50; with regulating plug with position indicator and locking device.



Technology for the Future.
GERMAN QUALITY VALVES

ARI-Armaturen Albert Richter GmbH & Co. KG, D-33750 Schloß Holte-Stukenbrock,
Tel. +49 52 07 / 994-0, Telefax +49 52 07 / 994-158 or 159 Internet: <http://www.ari-armaturen.com> E-mail: info.vertrieb@ari-armaturen.com