

Stainless Steel Non-Rising Stem Y-Pattern Threaded Globe Valve 14 bar (200 psi), 1/4"~2"

Series SYGB

Features

- Suitable for a wide range of industry and media
- Precision, high quality investment castings
- Y-pattern piston type; integral stainless steel seat
- EN10204-3.1 Material certificate available

PMA: 200 psi@50°C

TMA: 180°C

Selection:

Material of Body:
CF8M (1.4408)

Standards

- Female threaded to NPT, DIN259/2999, and BS standards
- Inspection & test acc. to API 598, EN 12266-1

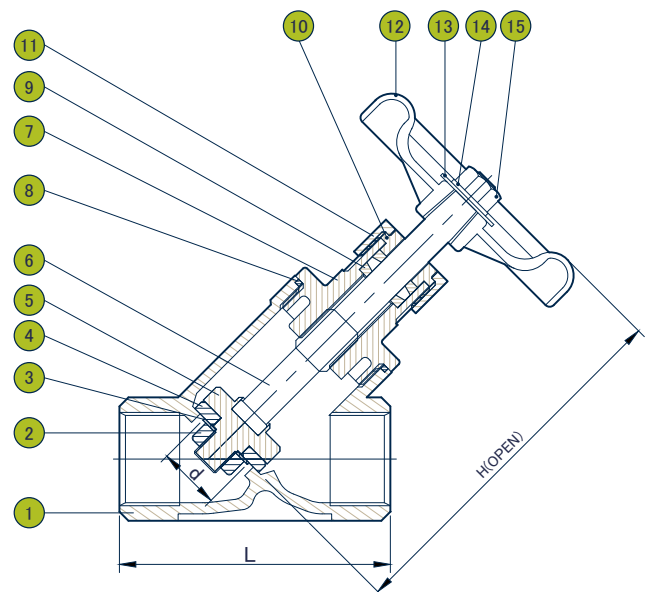


Materials List		
No.	PARTS NAME	MATERIALS
1	BODY	ASTM A351 CF8M
2	NUT	SS304
3	WASHER	SS304
4	SEAT	PTFE
5	DISC	SS316
6	STEM	SS316
7	BONNET	ASTM A351 CF8M
8	GASKET PACKING	PTFE
9	STEM PACKING	PTFE
10	GLAND	SS304
11	GLAND NUT	SS304
12	HANDLE WHEEL	MICO STEEL
13	NAME PLATE	ALUMINUM
14	WASHER	SS304
15	NUT	SS304

* Enclosed is a condensed table. For complete options, contact DIE ERSTE directly.

Dimensions (mm)

Size		L	H	d
IN	DN			
1/4"	8	65	107	11
3/8"	10	65	107	13
1/2"	15	65	107	15
3/4"	20	80	122	20
1"	25	90	142	25
1 1/4"	32	105	155	32
1 1/2"	40	120	175	38
2"	50	140	195	50



1