

MOD. 1041	PN 10-16	DN 40-400
	Short body EN 558-1 Series 14	
MOD. 1042	PN 25	DN 40-300
	Short body EN 558-1 Series 14	
MOD. 1051	PN 10-16	DN 40-400
	Long body EN 558-1 Series 15	

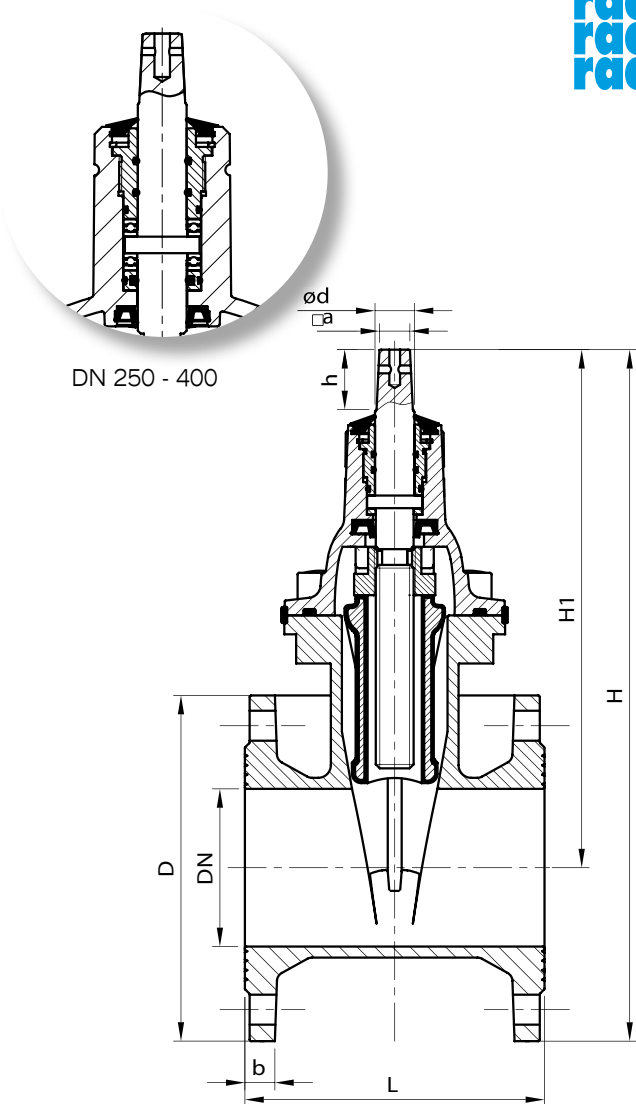


SPECIAL FEATURES

- Manufactured according to the requirements of EN 1074 and EN 1171 (min. torque strength Class2).
- Certified and marked by third part body as production supervisor.
- Body and bonnet high quality EPOXY powder coated (fusion bonded), coating thickness DFT min. 250 micron, zero porosity (tested with 3000V), high impact resistance and cross-linkage according to DIN 30677-2 and DIN 3476.
- Multiple O-Ring spindle sealing system embedded in non-corrosive material to DIN 3547-1 and additional back lip-seal for double security.
- O-Rings changeable under pressure to ISO 7259.
- Non-rising stainless steel spindle (single forged round bar with rolled threading).
- Wedge inside and outside fully rubber vulcanised, with drain hole and special guiding rails to minimize friction.
- Solid flexible wedge nut from corrosion free material .
- Gliding disc on the spindle neck to reduce friction when operating the spindle. From DN 250 and bigger with additional axial roller bearing.
- Bolts protected against corrosion by special resin.
- Protection ring between body and bonnet to reduce risk of damages on the coating due to mechanical impacts during transport, handling and installation.
- Markings following EN 19.
- Manual operation by handwheel, operating cap, extension spindle (underground installation).
- Motorisation by electric actuator.



All metal, rubber, and coatings used have been designed for contact with water for human consumption, pursuant to the terms of Italian Health Ministry decree n° 174, dated 6/4/2004.



DN 250 - 400

MATERIALS

Body and bonnet:

Ductile iron EN-GJS-400-15/EN 1563 (former to DIN GGG40)

Spindle:

Stainless steel 1.4021/EN ISO 10088 (equivalent to UNI X20Cr13 or AISI 420)

Wedge:

Ductile iron EN-GJS-400-15/EN 1563 (former to DIN GGG40), EPDM rubber vulcanised, potable water approved

Wedge nut:

Brass CuZn40Pb2

O-Ring bush:

Brass CuZn40Pb2

Gliding disc:

POM

O-Ring, back lip seal, bonnet seal, and dust cap:

EPDM rubber, potable water approved

Bonnet allen screws:

Steel class 8.8 to EN ISO 898, corrosion protected by special seal

Protection ring:

Reinforced plastic material

DN	PN	L			H	H1	D	b	ød	a	h	Weight (kg)			Actuator model	Weight c/w actuator		
		1041	1042	1051								1041	1042	1051		1041	1042	1051
40	10	140	-	240	293	218	150	16	19	17,8-14,8	30	8	-	12	SA07.6	29	-	33
	16	-	-	-								-	-	-		-	-	
	25	-	140	-								-	8	-		-	-	
50	10	150	-	250	330	250	165	19	21	17,8-14,8	30	10	-	14	SA07.6	31	-	35
	16	-	-	-								-	-	-		-	-	
	25	-	150	-								-	10	-		-	-	
65	10	170	-	270	370	280	185	19	24	20,8-17,3	35	12,5	-	18	SA07.6	33,5	-	39
	16	-	-	-								-	-	-		-	-	
	25	-	170	-								-	12,5	-		-	-	
80	10	180	-	280	410	310	200	19	24	20,8-17,3	35	16	-	21,5	SA10.2	41	-	46,5
	16	-	-	-								-	-	-		-	-	
	25	-	180	-								-	16	-		-	-	
100	10	190	-	300	460	350	220	19	24	23-19,3	38	20	-	28,5	SA10.2	45	-	53,5
	16	-	-	235			-					-	-	-		-		
	25	-	190	-			-					20	-	-		-		
125	10	200	-	325	530	400	250	19	27	23-19,3	38	27	-	39	SA10.2	52	-	64
	16	-	-	270			-					-	-	-		-		
	25	-	200	-			-					27	-	-		-		
150	10	210	-	350	580	400	285	19	27	23-19,3	38	34	-	49	SA10.2	59	-	74
	16	-	-	300			-					-	-	-		-		
	25	-	210	-			-					34	-	-		-		
200	10	230	-	400	705	535	340	20	32	29-24,3	48	56	-	85	SA14.2	106	-	135
	16	-	-	375			-					-	-	-		-		
	25	-	230	-			-					60	-	-		-		
250	10	250	-	450	870	670	395	22	33	32-27,3	48	86	-	128	SA14.2	136	-	178
	16	-	-	405			-					-	-	-		-		
	25	-	250	-			-					93	-	-		-		
300	10	270	-	500	980	750	445	24,5	33	32-27,3	48	115	-	203	SA14.2	170	-	258
	16	-	-	460			-					-	-	-		-		
	25	-	270	-			-					128	-	-		-		
350	10	290	-	550	1075	810	505	28	40	37,6-32	55	200	-	230	SA14.6	255	-	285
	16	-	-	520			-					-	-	-		-		
	10	310	-	600			-					-	-	-		-		
400	10	310	-	600	1180	885	565	28	40	37,6-32	55	260	-	300	SA14.6	315	-	355
	16	-	-	580			-					-	-	-		-		

All metal, rubber, and coatings used have been designed for contact with water for human consumption, pursuant to the terms of Italian Health Ministry decree n° 174, dated 6/4/2004.