

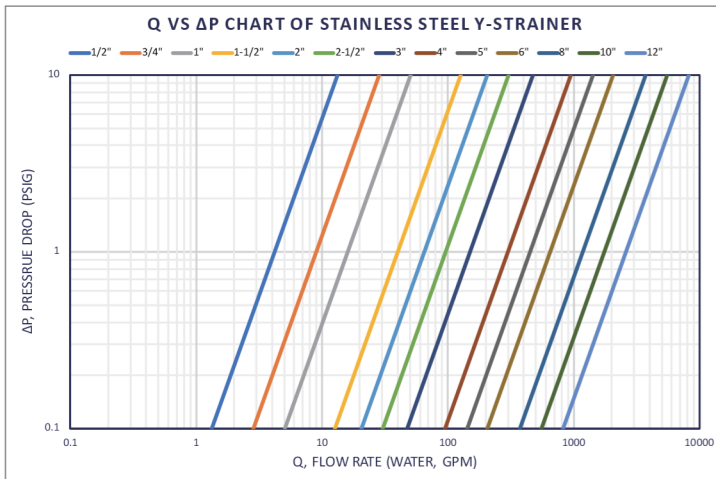
FLANGED STAINLESS STEEL Y-STRAINER Model : Series YS

- Body Material**
 ASTM CF8M, CF8
 DIN 1.4408, 1.4308
- Size Range**
 1/2" - 12" (DN15~DN300)
- Standards and Specifications**
 Class 150, 300 · API603; ASME B16.34
 · B16.5
 PN16, PN25/40 · DIN 3202 F1
 JIS10K, 16K, 20K
- Temperature Range**
 -4°F to 350°F (-20°C to 180°C) with PTFE seal



1

Flow Rate Chart



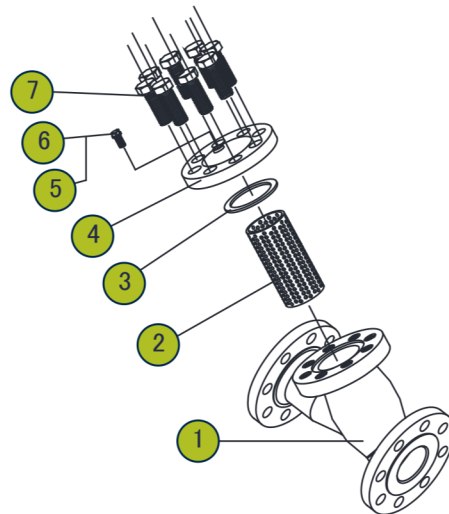
Notes: Pressure drop curves are based on water flow with standard screens.

MATERIALS LIST:

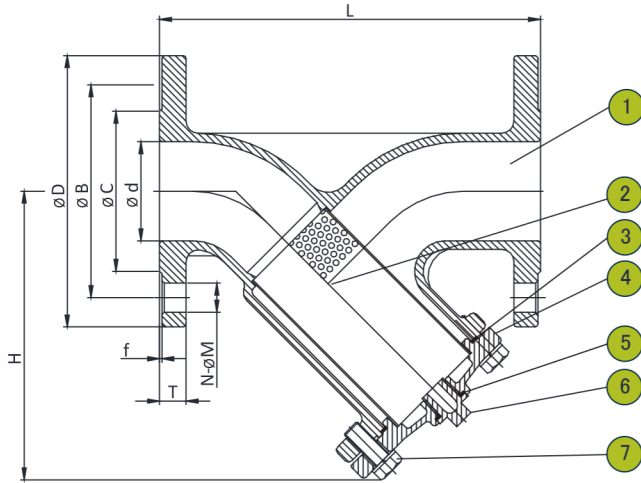
NO.	PART NAME	MATERIAL
1	BODY	ASTM A351 CF8M / CF8
2	SCREEN	SUS316 / SUS304
3	GASKET	PTFE
4	CAP	ASTM A351 CF8M / CF8
5	PLUG SEAL	PTFE
6	DRAIN PLUG	CF8M
7	BONNET BOLT	SUS304

SCREEN SPECIFICATION

SIZE	PERFORATION
1/2"-11/4"	1.5MM
11/2"-12"	2MM



FLANGED STAINLESS STEEL Y-STRAINER Model : Series YS



ANSI CLASS 150 Dimensions (mm)

SIZE		d	L	H	D	B	C	T	f	N	M	Weight
INCH	DN											kg
1/2"	15	15	120	85	89	61	35	11	1.6	4	16	2
3/4"	20	20	140	87	98	70	43	11	1.6	4	16	2
1"	25	25	150	114	108	80	51	11	1.6	4	16	3
1-1/4"	32	32	180	114	117	90	64	13	1.6	4	16	4
1-1/2"	40	40	190	135	127	99	73	14	1.6	4	16	5
2"	50	50	210	155	152	121	92	16	1.6	4	19	7
2-1/2"	65	65	250	189	178	140	105	18	1.6	4	19	11
3"	80	80	280	200	190	153	127	19	1.6	4	19	15
4"	100	100	340	232	229	191	157	24	1.6	8	19	24
5"	125	125	380	274	254	216	186	24	1.6	8	22	32
6"	150	150	420	326	279	242	216	25	1.6	8	22	41
8"	200	200	500	397	343	299	270	29	1.6	8	22	71
10"	250	250	730	512	406	362	324	30	1.6	12	25	122
12"	300	300	850	562	483	432	381	32	1.6	12	25	207

ANSI CLASS 300 Dimensions (mm)

SIZE		d	L	H	D	B	C	T	f	N	M	Weight
INCH	DN											kg
1/2"	15	15	130	85	95	67	35	14	1.6	4	16	2.3
3/4"	20	20	140	87	117	83	43	16	1.6	4	19	3.4
1"	25	25	150	114	124	89	51	18	1.6	4	19	4
1-1/2"	40	40	190	135	156	115	73	21	1.6	4	22	7.7
2"	50	50	210	155	165	127	92	22	1.6	8	19	8.9
2-1/2"	65	65	270	189	190	149	105	25	1.6	8	22	13.9
3"	80	80	290	200	210	168	127	29	1.6	8	22	19.5
4"	100	100	386	232	254	200	157	32	1.6	8	22	32.4
5"	125	125	400	274	279	235	186	35	1.6	8	22	-
6"	150	150	480	326	318	270	216	37	1.6	12	22	59.2
8"	200	200	600	397	381	330	270	41	1.6	12	25	-
10"	250	250	730	512	444	388	324	48	1.6	16	29	153.8
12"	300	300	850	562	521	451	381	51	1.6	16	32	165

DIN PN16 Dimensions (mm)

SIZE		d	L	H	D	B	C	T	f	N	M	Weight
INCH	DN											kg
1/2"	15	15	130	85	95	65	45	14	2	4	14	3
3/4"	20	20	150	87	105	75	58	16	2	4	14	3
1"	25	25	160	114	115	85	68	16	2	4	14	4
1-1/4"	32	32	180	114	140	100	78	16	2	4	18	6
1-1/2"	40	40	200	135	150	110	88	16	3	4	18	6
2"	50	50	230	155	165	125	102	18	3	4	18	8
2-1/2"	65	65	290	189	185	145	122	18	3	4	18	12
3"	80	80	310	200	200	160	138	20	3	8	18	16
4"	100	100	350	232	220	180	158	20	3	8	18	21
5"	125	125	400	274	250	210	188	22	3	8	18	31
6"	150	150	480	326	285	240	212	22	3	8	22	41
8"	200	200	600	397	340	295	268	24	3	12	22	70
10"	250	250	730	512	405	355	320	26	3	12	26	114
12"	300	300	850	562	460	410	378	28	4	12	26	184

DIN PN25/40 Dimensions (mm)

SIZE		d	L	H	D	B	C	T	f	N	M	Weight
INCH	DN											kg
1/2"	15	15	130	85	95	65	45	16	2	4	14	2
3/4"	20	20	150	87	105	75	58	18	2	4	14	3
1"	25	25	160	114	115	85	68	18	2	4	14	4
1-1/4"	32	32	180	114	140	100	78	18	2	4	18	6
1-1/2"	40	40	200	135	150	110	88	18	3	4	18	7
2"	50	50	230	155	165	125	102	20	3	4	18	9
2-1/2"	65	65	290	189	185	145	122	22	3	8	18	13
3"	80	80	310	200	200	160	138	24	3	8	18	17
4"	100	100	350	232	235	190	162	24	3	8	22	24
5"	125	125	400	274	270	220	188	26	3	8	26	37
6"	150	150	480	326	300	250	218	28	3	8	26	51
8"	200	200	600	397	375	320	285	34	3	12	30	90

FLANGED STAINLESS STEEL Y-STRAINER

Model : Series YS

JIS 10K Dimensions (mm)

SIZE		d	L	H	D	B	C	T	f	N	M	Weight kg
INCH	DN											
1/2"	15	15	120	85	95	70	51	12	1	4	2	2
3/4"	20	20	140	87	100	75	56	14	1	4	3	2.5
1"	25	25	150	114	125	90	67	14	1	4	4	3.6
1-1/4"	32	32	180	114	135	100	76	16	2	4	6	5
1-1/2"	40	40	190	135	140	105	81	16	2	4	7	5.4
2"	50	50	210	155	155	120	96	16	2	4	9	7.1
2-1/2"	65	65	250	189	175	140	116	18	2	4	13	10.8
3"	80	80	280	200	185	150	126	18	2	8	17	13.2
4"	100	100	340	232	210	175	151	18	2	8	24	19.2
5"	125	125	380	274	250	210	182	20	2	8	37	29.2
6"	150	150	420	326	280	240	212	22	2	8	51	38.4
8"	200	200	500	397	330	290	262	22	2	12	90	61.3
10"	250	250	730	512	400	355	324	24	2	12	25	118
12"	300	300	850	562	445	400	368	24	3	16	25	-

JIS 16K Dimensions (mm)

SIZE		d	L	H	D	B	C	T	f	N	M	Weight kg
INCH	DN											
1/2"	15	15	120	85	95	70	51	12	1	4	15	
3/4"	20	20	140	87	100	75	56	14	1	4	15	
1"	25	25	150	114	125	90	67	14	1	4	19	
1-1/4"	32	32	180	114	135	100	76	16	2	4	19	
1-1/2"	40	40	190	135	140	105	81	16	2	4	19	
2"	50	50	210	155	155	120	96	16	2	8	19	
2-1/2"	65	65	250	189	175	140	116	18	2	8	19	
3"	80	80	280	200	200	160	132	20	2	8	23	
4"	100	100	340	232	225	185	160	22	2	8	23	
5"	125	125	380	274	270	225	195	22	2	8	25	
6"	150	150	420	326	305	260	230	24	2	12	25	
8"	200	200	500	397	350	305	275	26	2	12	25	
10"	250	250	730	512	430	380	345	28	2	12	27	
12"	300	300	850	562	480	430	395	30	3	16	27	

JIS 20K Dimensions (mm)

SIZE		d	L	H	D	B	C	T	f	N	M	Weight kg
INCH	DN											
1/2"	15	15	120	85	95	70	51	14	1	4	15	-
3/4"	20	20	140	87	100	75	56	16	1	4	15	-
1"	25	25	150	114	125	90	67	16	1	4	19	4.1
1-1/4"	32	32	180	114	135	100	76	18	2	4	19	-
1-1/2"	40	40	190	135	140	105	81	18	2	4	19	6.4
2"	50	50	210	155	155	120	96	18	2	8	19	8.1
2-1/2"	65	65	250	189	175	140	116	20	2	8	19	-
3"	80	80	290	200	200	160	132	22	2	8	23	18.1
4"	100	100	386	232	225	185	160	24	2	8	23	-
5"	125	125	400	274	270	225	195	26	2	8	25	-
6"	150	150	480	326	305	260	230	28	2	12	25	-
8"	200	200	600	397	350	305	275	30	2	12	25	-
10"	250	250	730	512	430	380	345	34	2	12	27	-
12"	300	300	850	562	480	430	395	36	3	16	27	-

3

DIE ERSTE reserves the right to change product design and specifications without notice.
Copyright © 2020 by DIE ERSTE INDUSTRY CO., LTD.