

## Stainless Steel Non-Rising Stem Threaded Gate Valve 14 bar (200 psi), 1/2"~2"

**Series SGT**

### Features

- Suitable for a wide range of industry and media
- Precision, high quality investment castings
- Non-rising stem; integral stainless steel seat
- EN10204-3.1 Material certificate available

PMA: 200 psi@50°C

TMA: 180°C

**Selection:**

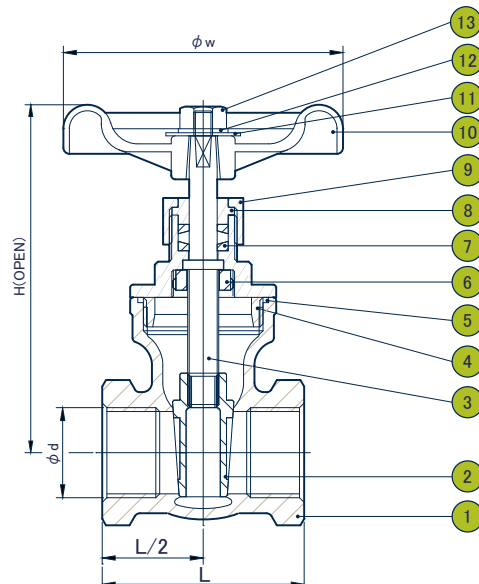
**Material of Body:**  
CF8M (1.4408)

### Standards

- Female threaded to NPT, DIN259/2999, and BS standards
- Inspection & test acc. to API 598, EN 12266-1

Materials List		
No.	PARTS NAME	MATERIALS
1	BODY	ASTM A351 CF8M
2	DISC	ASTM A351 CF8M
3	STEM	SS316
4	BONNET	ASTM A351 CF8M
5	GASKET PACKING	PTFE
6	STEM HOLDER	SS316
7	STEM PACKING	PTFE
8	GLAND	SS304
9	GLAND NUT	SS304
10	HANDLE WHEEL	MICO STEEL
11	NAME PLATE	ALUMINUM
12	HANDLE WHEEL WASHER	SS304
13	HANDLE WHEEL NUT	SS304

\* Enclosed is a condensed table. For complete options, contact DIE ERSTE directly.



### Dimensions (mm)

Size		d	L	H	W
IN	DN				
1/2"	15	15	55	95	70
3/4"	20	20	60	102	70
1"	25	25	65	115	80
1 1/4"	32	32	75	127	80
1 1/2"	40	38	85	150	90
2"	50	50	95	170	100

1